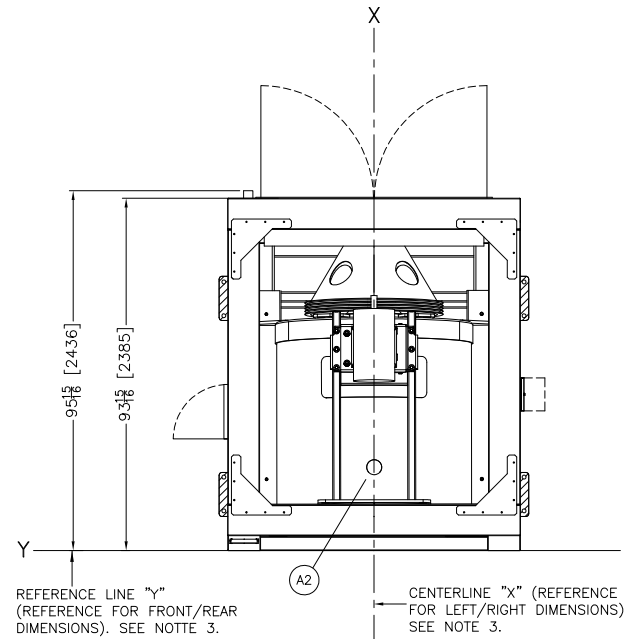
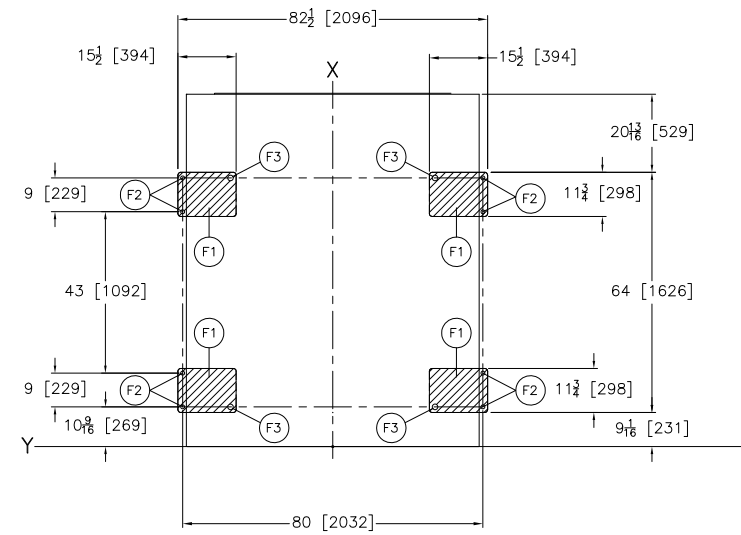


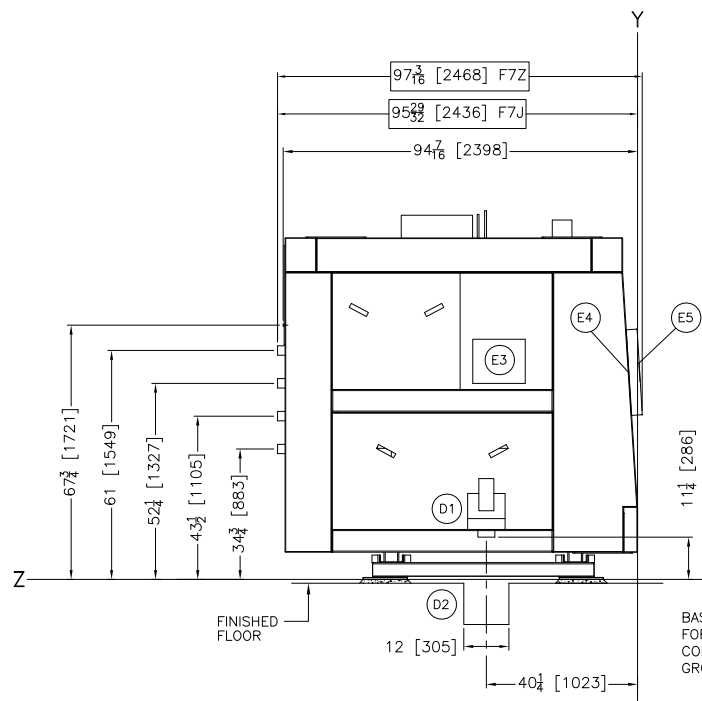
REAR VIEW



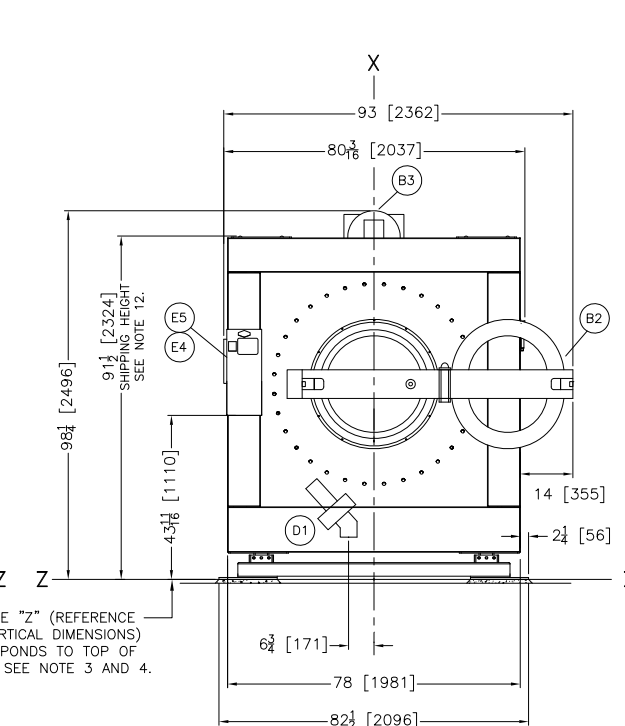
PLAN VIEW



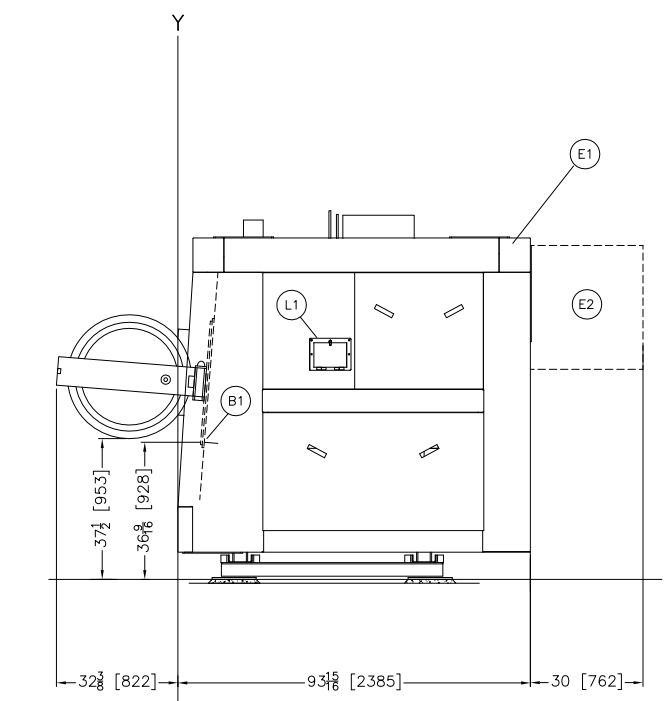
FOUNDATION VIEW



LEFT VIEW



FRONT VIEW



RIGHT VIEW

W4	OPTIONAL REUSE WATER CONNECTION, 1-1/2" NPT
W3	OPTIONAL THIRD WATER CONNECTION, 1-1/2" NPT
W2	COLD WATER CONNECTION, 1-1/2" NPT
W1	HOT WATER CONNECTION, 1-1/2" NPT
S2	STEAM INLET, 1-1/4" NPT, IF ALSO THIRD WATER
S1	STEAM INLET, 1-1/4" NPT, IF NO THIRD WATER
L2	16 PORT LIQUID SUPPLY INLETS
L1	SOAP CHUTE
F3	GROUT HOLES
F2	(8) 1-1/16" DIAMETER ANCHOR BOLT HOLES, USE 3/4" X 6" BOLTS MINIMUM. (1) BOLT PER PAD MINIMUM.
F1	BASEPADS, SEE NOTE 8.
E5	MilTouch™ TOUCH SCREEN CONTROLLER, F7Z
E4	MICROPROCESS CONTROLS, F7J, FLUSH MOUNT
E3	MICROPROCESSOR CONTROL BOX
E2	MAIN ELECTRICAL CONTROL BOXES
E1	MAIN ELECTRICAL CONNECTION
D2	DRAIN TROUGH
D1	DRAIN TO SUMP, 4 1/2" OD
B3	TOP OF DISC BRAKE
B2	DOOR FULL OPEN
B1	LOAD HEIGHT
A2	VENT, 4" DIAMETER
A1	MAIN AIR CONNECTION, 1/4" NPT
ITEM	LEGEND

- NOTES**
- 14 DIMENSIONS ARE VALID FOR A2 MODEL.
  - 13 SHIM TO LEVEL THE MACHINE AND ALLOW FOR 1" [25] MINIMUM GROUT. ANCHOR WITH ONE ANCHOR BOLT PER PAD, MINIMUM. USE 3/4" X 6" BOLTS, MINIMUM. SEE INSTALLATION MAINTENANCE MANUAL FOR FURTHER INSTRUCTIONS.
  - 12 FOR OVERSEAS SHIPMENTS, TO REDUCE THE OVERALL HEIGHT, THE MOTOR MOUNT ASSEMBLY AND VENT PIPE MAY BE REMOVED AND SHIPPED SEPARATELY.
  - 11 MODEL NUMBERS: 48040F7J=NON-TILT EP+; 48040F7Z=NON-TILT MILTOUCH™
  - 10 DRAIN VALVE MAY MOVE ± 1" [25] IN ANY DIRECTION DURING OPERATION AND MUST NOT BE RIGIDLY CONNECTED TO DRAIN.
  - 9 DUE TO VARYING WEIGHT OF MACHINE ON SPRINGS TOLERANCE IS ± 1/2 [13]. SEE DIMENSIONS WITH ASTERISK [\*] ATTACHED.
  - 8 SHADED AREA DENOTES BASE PADS WHICH MUST BE CONTINUOUSLY SUPPORTED.
  - 7 DO NOT PRE-PIPE ANY CLOSER THAN 60 [1524].
  - 6 AS OF THIS WRITING, THE MINIMUM CLEARANCE REQUIRED BY U.S. NATIONAL ELECTRIC CODES, FROM ELECTRIC BOX TO ANCHOR OBJECT IS:  
36 [914] IF OBJECT IS AN UNGROUNDED (INSULATED) WALL  
42 [1067] IF OBJECT IS A GROUNDED WALL (e.g. BARE CONCRETE, BRICK, ETC.)  
48 [1219] IF OBJECT IS ANY LIVE PART.  
CHECK LOCAL ELECTRIC CODES FOR FURTHER RESTRICTIONS.
  - 5 CUSTOMER TO SUPPLY CIRCUIT BREAKER OR FUSED BRANCH CIRCUIT DISCONNECT (SAFETY) SWITCHES WITH LAG TYPE FUSES FROM POWER SOURCE TO MACHINE. A SEPARATE GROUND WIRE MUST BE CONNECTED FROM DISCONNECT TO EQUIPMENT.
  - 4 BASELINE "Z" IS THE SAME FOR ALL MILNOR MACHINES AND IS SHOWN ON ALL DIMENSIONAL DRAWINGS. THE DISTANCE BETWEEN BASELINE "Z" AND THE FINISHED FLOOR MAY VARY (WITH CHANGES IN FLOOR HEIGHT) AS REQUIRED TO INSURE THAT BASELINE "Z" IS HORIZONTAL AND ALL COMPONENTS REQUIRING GROUT ARE SET ON A MINIMUM 1" [25] THICK GROUT BED.
  - 3 USE REFERENCE LINES "X", "Y", AND "Z" TO LOCATE ALL SERVICE CONNECTIONS.
  - 2 NUMBERS IN BRACKETS [ ] DENOTE DIMENSIONS IN MILLIMETERS.
  - 1 ALL DIMENSIONS SHOWN ARE APPROXIMATE, SUBJECT TO NORMAL MANUFACTURING TOLERANCES, AND TO OCCASIONAL CHANGES WITHOUT NOTICE THROUGH REDESIGN AND/OR RELOCATION OF COMPONENTS, ETC. DO NOT USE FOR CONSTRUCTION UNLESS CERTIFIED, AND IN NO EVENT PRE-PIPE CLOSER THAN FIVE FEET FROM MACHINE. FACTORY MUST BE CONSULTED FOR DIMENSIONS IF MACHINE IS TO BE MOVED THROUGH NARROW OR LOW CORRIDORS OR OPENINGS.

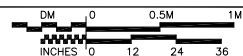
**ATTENTION**

MOST REGULATORY AUTHORITIES (INCLUDING OSHA IN THE USA) HOLD THE OWNER/USER ULTIMATELY RESPONSIBLE TO MAINTAIN A SAFE WORKING ENVIRONMENT. ACCORDINGLY, THE OWNER/USER MUST RECOGNIZE ALL FORESEEABLE SAFETY HAZARDS, FURNISH SAFETY INSTRUCTIONS AND GUIDANCE TO ALL PERSONNEL WHO MAY COME IN CONTACT WITH THE INSTALLATION, AND PROVIDE ALL NECESSARY ADDITIONAL SAFETY GUARDS, FENCES, RESTRAINTS, DEVICES, ETC., NOT FURNISHED BY THE EQUIPMENT MANUFACTURER OR VENDOR.

**ATTENTION**

THE FLOOR AND/OR OTHER SUPPORT COMPONENTS MUST HAVE SUFFICIENT STRENGTH (AND RIGIDITY WITH DUE CONSIDERATION FOR NATURAL OR RESONANT FREQUENCY THEREOF) TO WITHSTAND THE FULLY LOADED WEIGHT OF THE MACHINE INCLUDING THE GOODS, THE WATER, AND ANY REPEATED SINUSOIDAL (ROTATING) FORCES GENERATED DURING ITS OPERATION. WRITE THE FACTORY FOR ADDITIONAL MACHINE DATA FOR USE BY A COMPETENT SOIL AND/OR STRUCTURAL ENGINEER.

48040F7J, 48040F7Z



DWG# BD48040F7DE  
2014452D

**MILNOR** PELLERIN MILNOR CORPORATION  
P.O. Box 400 Kenner, LA 70063, USA, Phone 504/467-9591,  
FAX 504/469-1849, Email: milnorinfo@milnor.com