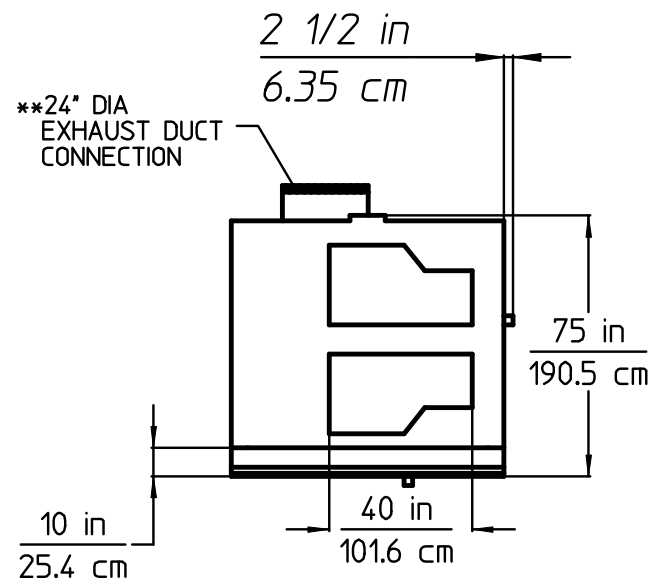
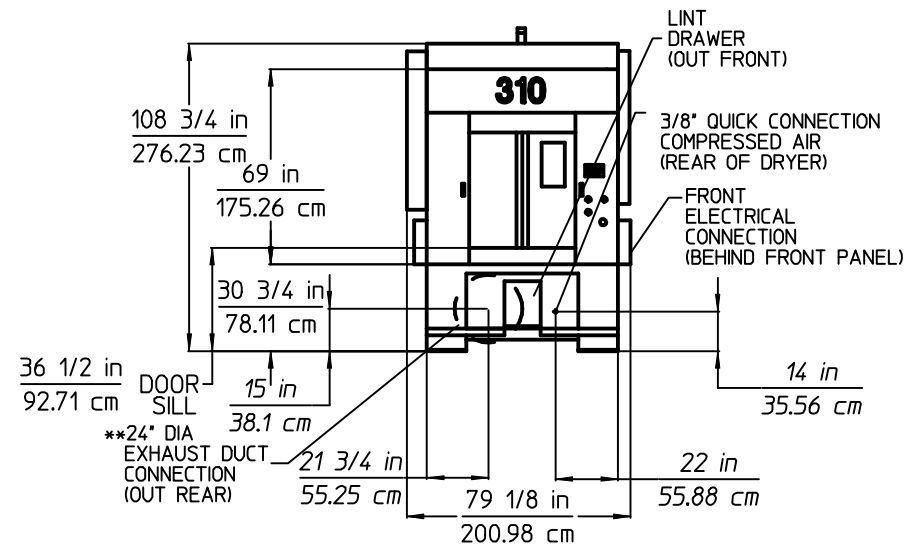


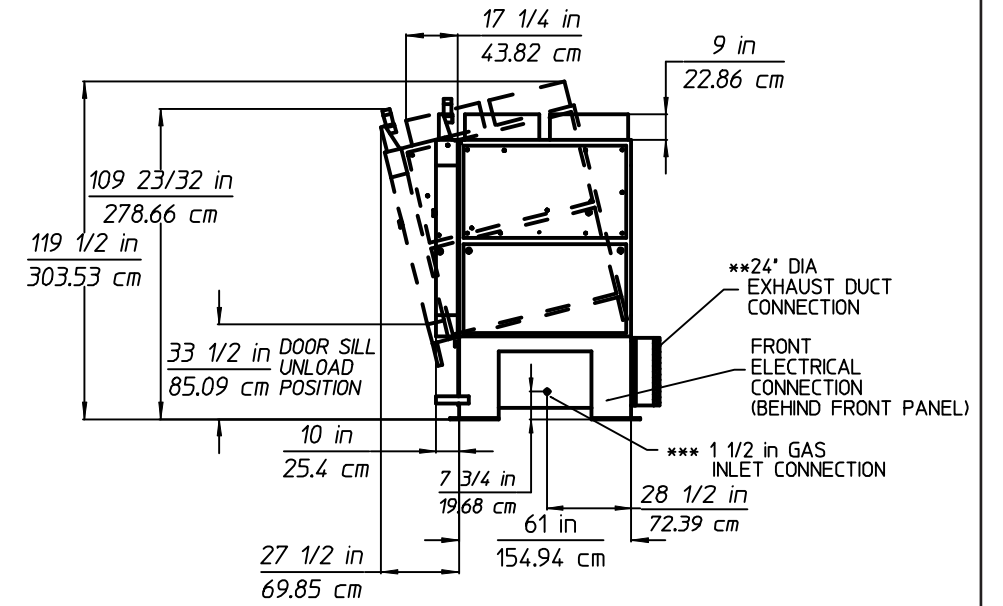
310 TILTING* 1 DOOR/FORWARD TILT GAS MODEL



TOP VIEW



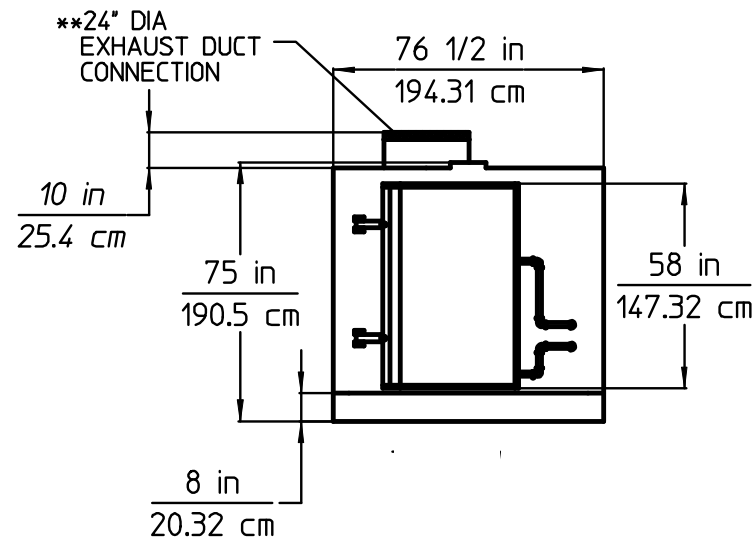
FRONT VIEW



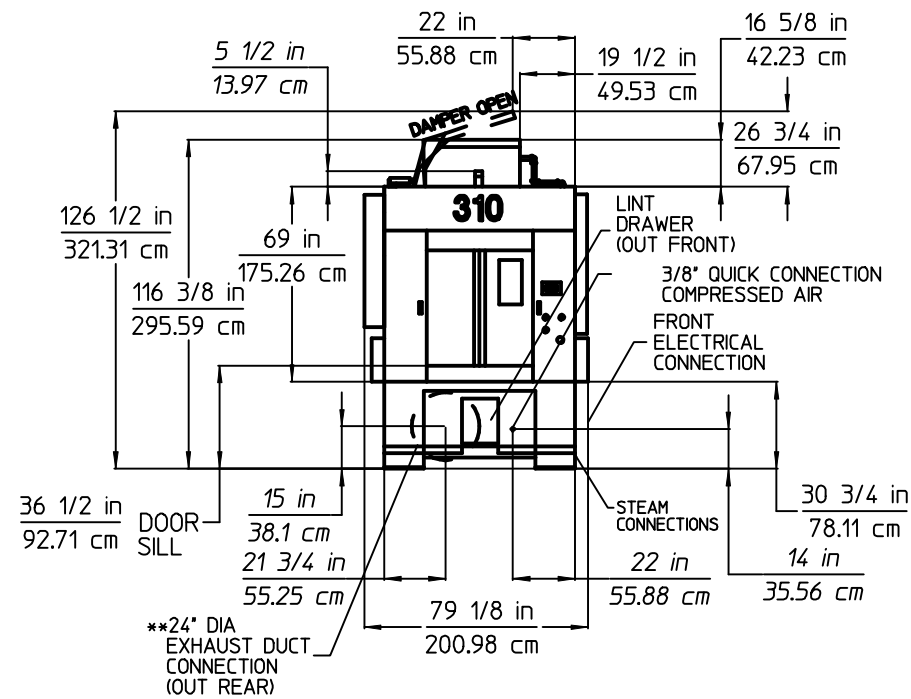
SIDE VIEW

310 TILTING* 1 DOOR/FORWARD TILT STEAM MODEL

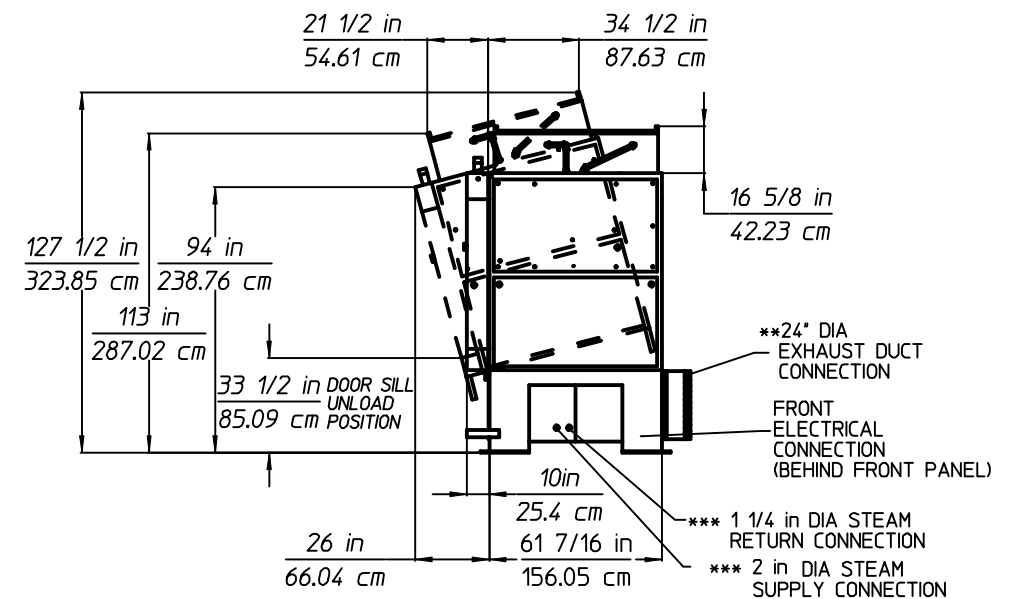
- * BOTH GAS AND STEAM TILTING UNITS MUST BE SUPPLIED WITH CLEAN, DRY, REGULATED AIR AT 80 PSI ± 10 PSI (5.52 BAR ± .69 BAR).
- ** DUCTWORK SIZE VARIES WITH INSTALLATION CONDITIONS. EXHAUST STATIC PRESSURE SHOULD NOT EXCEED 0.3" WATER COLUMN (0.74 mb).
- *** SIZE OF PIPING TO DRYER VARIES WITH INSTALLATION CONDITIONS. CONTACT FACTORY FOR ASSISTANCE.



TOP VIEW



FRONT VIEW



SIDE VIEW