

SG5	FRESH AIR IN
SG4	SELF-GRIP GASKET ON STAPH SHEET METAL BARRIER
SG3	STAPH BARRIER, SHEET METAL SUPPLIED
SG2	STAPH BARRIER, 2" NEOPRENE CLOSED CELL FOAM, SUPPLIED.
SG1	STAPH MEMBRANE BARRIER, LOAD AND UNLOAD
S	STEAM INLET, 1-1/4" NPT
R	REUSE WATER INLET, 1-1/2" NPT, OPTIONAL.
L2	STANDARD LIQUID SUPPLY (8) 3/8" PORTS WITH 6 SIGNALS
L1	STANDARD SOAP CHUTE
H	HOT WATER INLET, 1-1/2" NPT
F4	(20) HOUSE BOLT HOLES 3/8" [10] DIAMETER. ANCHOR 2 PER CORNER, (8) PLACES MINIMUM, 1/4" X 3-1/2" BOLTS MINIMUM.
F3	HOUSE-FRAME-SHIMS. SEE NOTE 8.
F2	(16) 3/4" [20] DIAMETER ANCHOR BOLT HOLES, ANCHOR (1) BOLT PER PAD MINIMUM, 5/8" X 6" BOLTS MINIMUM
F1	FOUNDATION BASEPADS, 4 PLACES
E4	EMERGENCY STOP
E3	MitTouch-EX™ TOUCH SCREEN CONTROLLER
E2	HIGH VOLTAGE CONTROL BOX
E1	MAIN ELECTRICAL CONNECTION
DR	LOAD & UNLOAD DOORS
D1	STANDARD DRAIN, TWO 3" [80MM] AIR OPERATED DRAIN VALVES TO SEWER.
C	COLD WATER INLET, 1-1/2" NPT
B1	HOUSE FRAME
A2	VENT TO ATMOSPHERE, 4-1/2" DIAMETER
A1	COMPRESSED AIR INLET, 1/2" NPT
ITEM	LEGEND

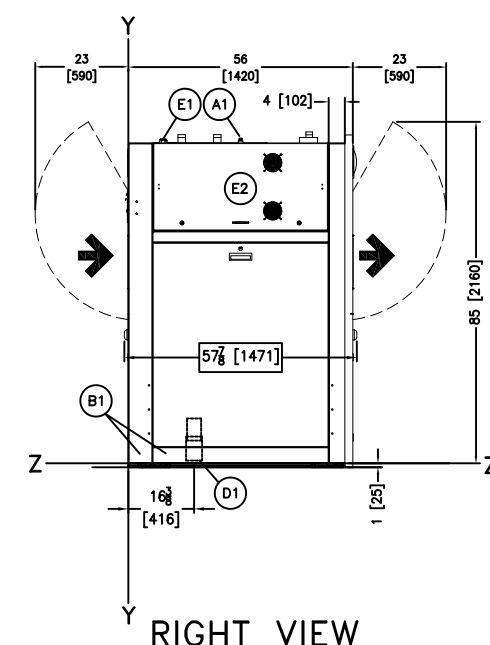
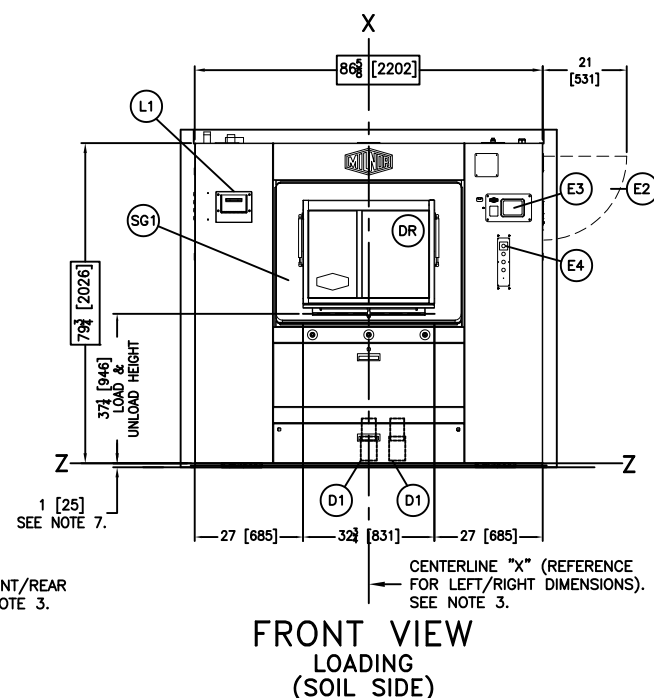
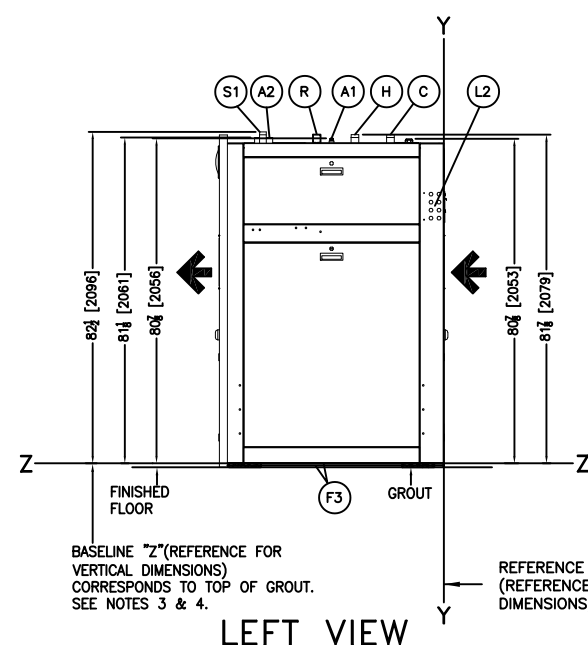
NOTES	
8	GROUT OR SHIM 1" UNDER EXTERIOR HOUSE FRAME. BOLT HOUSE FRAME THROUGH HOUSE-FRAME-SHIMS TO FOUNDATION. GROUT AS REQUIRED.
7	SHIM BASEPADS TO LEVEL THE MACHINE AND ALLOW FOR 1" [25] MINIMUM GROUT. ANCHOR WITH ONE ANCHOR BOLT PER PAD, MINIMUM USE 5/8" X 6" BOLTS, MINIMUM. SEE INSTALLATION MAINTENANCE MANUAL FOR FURTHER INSTRUCTIONS.
6	AS OF THIS WRITING, THE MINIMUM CLEARANCE REQUIRED BY U.S. NATIONAL ELECTRIC CODES, FROM ELECTRIC BOX TO ANY OBJECT IS: 36 [914] IF OBJECT IS AN UNGROUNDED (INSULATED) WALL. 42 [1067] IF OBJECT IS A GROUNDED WALL (i.e. BARE CONCRETE, BRICK, ETC.) 48 [1219] IF OBJECT IS ANY LIVE PART. CHECK LOCAL ELECTRIC CODES FOR FURTHER RESTRICTIONS.
5	CUSTOMER TO SUPPLY CIRCUIT BREAKER OR FUSED BRANCH CIRCUIT DISCONNECT (SAFETY) SWITCHES WITH LAG TYPE FUSES FROM POWER SOURCE TO MACHINE. A SEPARATE GROUND WIRE MUST BE CONNECTED FROM DISCONNECT TO EQUIPMENT.
4	BASELINE "Z" IS THE REFERENCE FOR ALL VERTICAL DIMENSIONS. ON MACHINES WITH FIXED BASE PADS, BASELINE "Z" CORRESPONDS TO THE BOTTOM OF THE BASE PAD. ON MACHINES WITH ADJUSTABLE FEET, BASELINE "Z" CORRESPONDS TO THE BOTTOM OF THE FEET WHEN ADJUSTED SO THAT THE MACHINE IS AT ITS MINIMUM ACCEPTABLE HEIGHT. ON TRAVERSING SHUTTLES, BASELINE "Z" CORRESPONDS TO THE BOTTOM OF THE BOTTOM RAIL. THE DISTANCE BETWEEN BASELINE "Z" AND THE FINISHED FLOOR WILL VARY AS REQUIRED TO ENSURE BASELINE "Z" IS HORIZONTAL AND ANY INTERFACING MACHINES REQUIRING GROUT ARE SET ON A MINIMUM 1 [25] THICK GROUT BED.
3	USE REFERENCE LINES "X", "Y", AND "Z" TO LOCATE ALL SERVICE CONNECTIONS.
2	NUMBERS IN BRACKETS [] DENOTE DIMENSIONS IN MILLIMETERS.
1	ALL DIMENSIONS SHOWN ARE APPROXIMATE, SUBJECT TO NORMAL MANUFACTURING TOLERANCES, AND TO OCCASIONAL CHANGES WITHOUT NOTICE THROUGH REDESIGN AND/OR RELOCATION OF COMPONENTS, ETC. DO NOT USE FOR CONSTRUCTION UNLESS CERTIFIED, AND IN NO EVENT PRE-PIPE CLOSER THAN FIVE FEET FROM MACHINE. FACTORY MUST BE CONSULTED FOR DIMENSIONS IF MACHINE IS TO BE MOVED THROUGH NARROW OR LOW CORRIDORS OR OPENINGS.

ATTENTION
THE FLOOR AND/OR OTHER SUPPORT COMPONENTS MUST HAVE SUFFICIENT STRENGTH (AND RIGIDITY WITH DUE CONSIDERATION FOR NATURAL OR RESONANT FREQUENCY THEREOF) TO WITHSTAND THE FULLY LOADED WEIGHT OF THE MACHINE INCLUDING THE GOODS, THE WATER, AND ANY REPEATED SINUSOIDAL (ROTATING) FORCES GENERATED DURING ITS OPERATION. WRITE THE FACTORY FOR ADDITIONAL MACHINE DATA FOR USE BY A COMPETENT SOIL AND/OR STRUCTURAL ENGINEER.

MWS90Z 90KG 1 POCKET

DMW9 BDMWS90ZBAE 2026093D

MILNOR PELLERIN MILNOR CORPORATION
P.O. Box 400 Kenner, LA 70063, USA, Phone 504/467-9591, FAX 504/468-3094, Email: milnorinfo@milnor.com



BASELINE "Z" (REFERENCE FOR VERTICAL DIMENSIONS) CORRESPONDS TO TOP OF GROUT. SEE NOTES 3 & 4.

REFERENCE LINE "Y" (REFERENCE FOR FRONT/REAR DIMENSIONS). SEE NOTE 3.

CENTERLINE "X" (REFERENCE FOR LEFT/RIGHT DIMENSIONS). SEE NOTE 3.