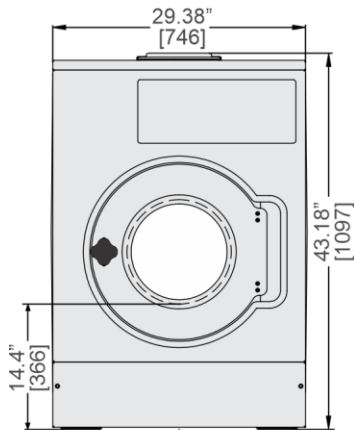


# MWT16J5

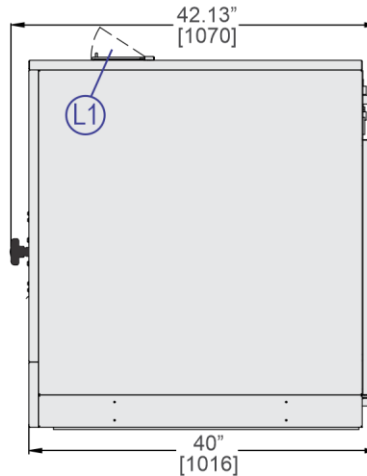
35 LB. (16KG) CAPACITY  
RIGID-MOUNT WASHER-EXTRACTOR

## SPECIFICATION SHEET

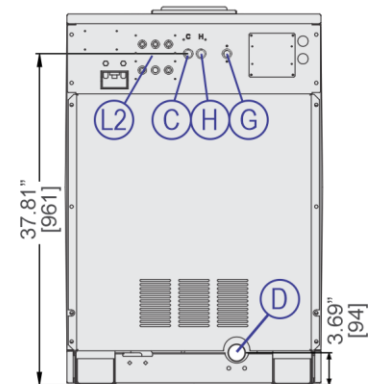
FRONT VIEW



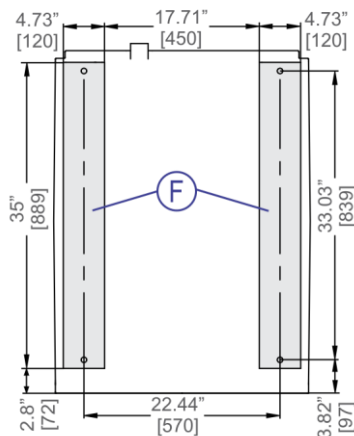
RIGHT SIDE VIEW



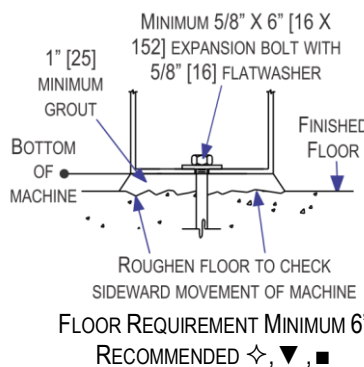
REAR VIEW



FOUNDATION VIEW



ANCHORING DETAIL



LEGEND

C	Cold water inlet, .75" (19 mm) GHT
D	Drain 2" (51 mm) ID hose connection
E	Electrical connection
F	Foundation pads; Anchor bolt holes .8125" (21 mm)
G	Hot water inlet for soap chute
H	Hot water inlet, .75" (19 mm) GHT
L1	Soap chute
L2	Liquid supply inlets

### MECHANICAL SPECIFICATIONS

Capacity – lb (kg)	35 (16)
Cylinder Diameter x Depth – in (mm)	22.64 x 17.68 (575 x 449)
Cylinder Volume – cu. ft. (L)	4.12 (117)
Door Opening – in (mm)	11.97 (304)
Machine Dimensions (W x D x H) – in (mm)	29.38 x 42.13 x 43.18 (746 x 1070 x 1097)
Shipping Dimensions (W x D x H) – in (mm)	35.04 x 45.28 x 48.54 (890 x 1150 x 1233)
Motor – HP (kW)	1.5 (1.1)
Wash Speed – RPM	43
Distribution Speed – RPM	90
Extraction Speed – RPM	530
Extraction G-Force	90
Static Weight – lb (kg) ◇	823 (374)
Max. Dynamic Load RMS – lb (kg) ◇	630 (286)
Frequency (Hz)	8.82
Water Pressure <i>(Required)</i> – psi (bar)	10-75 (.68-5.1)
Water Valve CV Rating at 72°F (22°C)	0.68-0.72 (2.57-2.73)
Minimum Recommended Distance Between Machines – in (mm)	0 (0)

### ELECTRICAL SPECIFICATIONS

Voltage	Running Amps	Fuse (Amps)	Circuit Breaker (Amps)
220/3/50	5	FRN10	10
208,240/1/60	11/10	FRN15	15
208,240/3/60	6/5	FRN10	10
380/3/50-60	4	FRS8	8
415/3/50	3	FRS6	6
480/3/60	2.5	FRS6	6

See Fuse and Wire Size manual MAEFUSE1BE for safety information.

▼ See dimensional drawing for complete details.

◇ It is the sole responsibility of the owner/user to assure that the floor and/or any other supporting structure exceeds not only all applicable building codes, but also that the floor and/or any other supporting structure for each washer-extractor or group of washer-extractors has sufficient strength and rigidity (i.e., a natural or resonant frequency many times greater than the rotational machine speed with a reasonable factory of safety) to support the weight of all the fully loaded machine(s) including the weight of the water and goods, and including the published 360° rotating sinusoidal RMS forces that are transmitted by the machine(s). Contact the factory for additional machine data for use by a structural engineer.

■ Machine bases made from concrete should either be part of a monolithic pour or should be tied into foundation and not isolated from existing floor.



# MWT16J5

35 LB. (16KG) CAPACITY  
RIGID-MOUNT WASHER-EXTRACTOR

## SPECIFICATION SHEET

### Standard Features:

- 6 speeds (2 wash, 1 distribution, 3 extract)
- E-P PLUS® programmable controller
- Single-motor inverter drive
- Tall, lifting ribs
- Sealed ball bearings
- High M.A.F. (Mechanical Action Factor)
- Large cylinder perforations
- Fresh-water flushing chemical manifold
- Auto tension V-belt drive
- Five (5) liquid chemical injection ports
- Control reads in English/second language
- 5-year limited warranty on frame, cylinder & shell



### Optional Features:

- Lint trap
- Steam
- Mounting base, 10" or 6"

### Why Purchase Milnor?

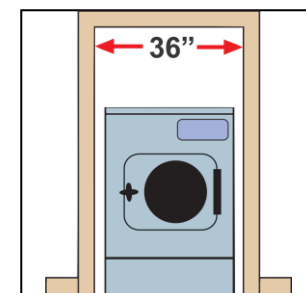
- Greater cylinder perforated-area generates *better wash quality, better rinsing and better extraction.* **BENEFIT: Better extraction saves dryer fuel.**
- Faster process times reduce fabric wear, promoting *longer linen life!* **BENEFIT: Saves linen replacement costs.**
- Tall perforated ribs provide excellent lift and high drop. **BENEFIT: Greater mechanical action (M.A.F.) leads to better wash quality.**
- 80-G extract provides excellent moisture removal. Lower extract speeds are available for uniforms, delicate textiles and blended fabrics. **BENEFIT: Better extraction saves dryer fuel.**
- E-P PLUS® Controller with back-lit LCD display allows operator to choose formulas from real words, not codes. Standard controller features English/Spanish (other languages optional). Controller also provides diagnostic and error messages. Shortens training time of new employees. **BENEFIT: Fewer operator errors.**
- Superior product support through local, highly-skilled dealers. **BENEFIT: Faster repairs mean less downtime.**



Safe chemical injection



Superior cylinder design



Fits through a 3'-0" door

Contact Milnor for your local, authorized dealer:

Pellerin Milnor Corporation  
P.O. Box 400 • Kenner, LA 70063  
t: 504-467-9591 • f: 504-468-3094

