

42030 V6J

160 lb. (72 kg) Capacity Rigid-Mount Washer-Extractor Specification Sheet



milnor.com



STANDARD FEATURES:

- RinSave® water saving technology
- 7 speeds (2 wash, 1 distribution, 1 RinSave, 3 extract)
- E-P Plus® programmable controller
- Single-motor inverter drive
- Tall, lifting ribs
- Tapered roller bearings
- High M.A.F. (Mechanical Action Factor)
- Large cylinder perforations
- Fresh-water flushing chemical manifold
- Auto tension V-belt drive
- Six (6) liquid chemical injection ports
- Control is configurable to display language of choice
- 5-year limited warranty on frame, cylinder & shell



OPTIONAL FEATURES:

- Steam
- Electric heat
- 5 compartment flushing supply injector
- Prison package
- Air-op reuse inlet, additional electrically operated reuse drain

Why Purchase Milnor?

BENEFIT: Saves water, energy and time. RinSave® water saver in conjunction with large cylinder perforations provides more efficient rinsing.

BENEFIT: Saves labor. Larger cylinder volume than most competitive, similar-sized washer-extractors provides greater productivity. More linen washed per day, or fewer hours required to process.

BENEFIT: Saves linen replacement costs. Faster process times reduce fabric wear, promoting longer linen life!

BENEFIT: Greater mechanical action (M.A.F.) leads to better wash quality.

Greater cylinder perforated area, tall rib construction and precise cylinder speeds generate better cleaning results, better rinsing, and better extraction.

BENEFIT: Better extraction saves dryer fuel. High extract provides excellent moisture removal. Lower extract speeds are available for uniforms, delicate textiles and blended fabrics.

BENEFIT: Fewer operator errors. E-P Plus® controller with back-lit LCD display allows operators to choose formulas from real words, not codes. Standard controller features English/Spanish (other languages optional). Controller also provides diagnostic and error messages, shortening training time of new employees.

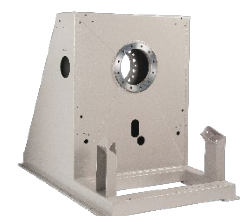
BENEFIT: Faster repairs mean less downtime. Superior product support through local, highly-skilled dealers.



Superior cylinder design



Safe chemical injection



Solid industrial frame

Contact Milnor for your local, authorized dealer:

PELLERIN MILNOR CORPORATION

P.O. Box 400, Kenner, LA 70063 • t: 504-467-9591 • milnorinfo@milnor.com

42030 V6J

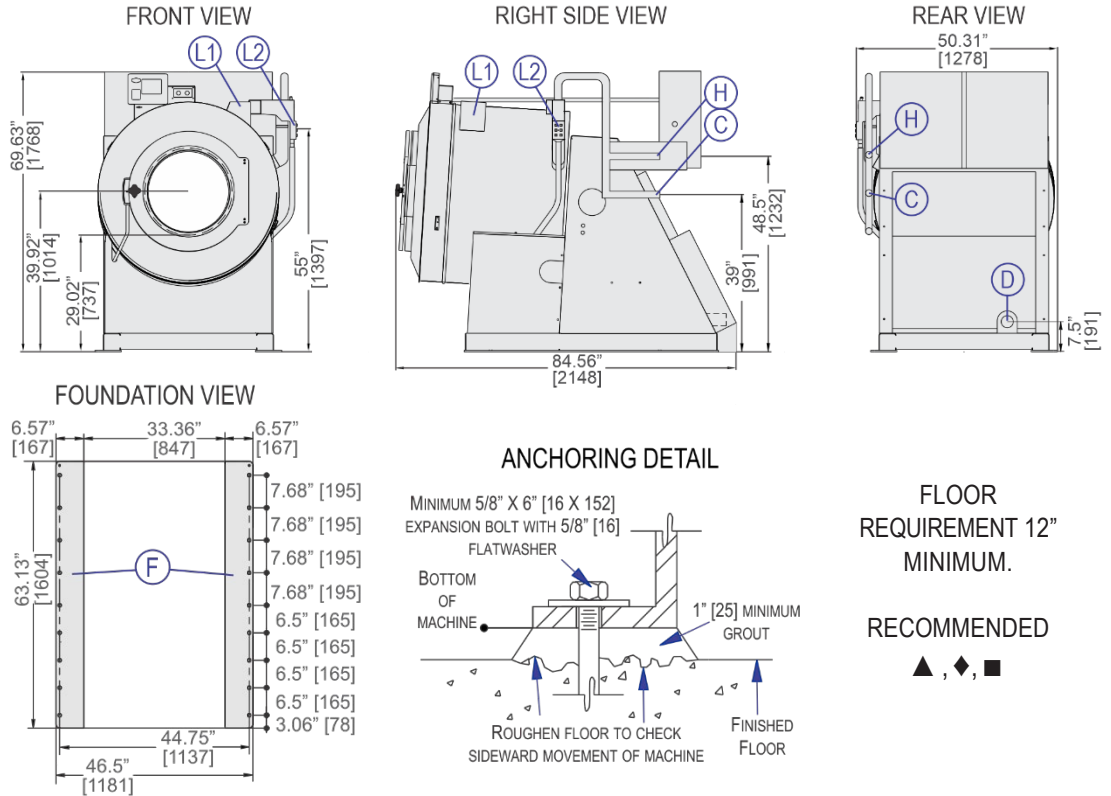
160 lb. (72 kg) Capacity Rigid-Mount Washer-Extractor Specification Sheet



milnor.com

LEGEND

| | |
|-----------|---------------------------------------------|
| C | Cold water inlet, 1.25" (32 mm) NPT |
| D | Drain to rear, 3" (76 mm) pipe socket joint |
| E | Electrical connection |
| F | Foundation pads |
| H | Hot water inlet, 1.25" (32 mm) NPT |
| L1 | Soap chute |
| L2 | Liquid supply inlets |



MECHANICAL SPECIFICATIONS

| | |
|----------------------------------------------------------|--------------------------------------------|
| Capacity – lb. (kg) | 160 (72) |
| Cylinder Diameter x Depth – in. (mm) | 42 x 30 (1067 x 762) |
| Cylinder Volume – cu. ft. (L) | 24 (679) |
| Door Opening – in. (mm) | 21.69 (551) |
| Machine Dimensions (W x D x H) – in. (mm) | 50.31 x 84.56 x 69.63 (1278 x 2148 x 1768) |
| Shipping Dimensions (W x D x H) – in. (mm) | 60 x 86 x 76 (1524 x 2184 x 1930) |
| Motor – HP (kW) | 15 (11.18) |
| Wash Speed – RPM | 32 / 40 |
| Distribution Speed – RPM | 60 |
| Extraction Speed – RPM | 320 / 414 / 549 |
| Extraction G-Force – for balanced loads | 180 |
| Static Weight – lb. (kg)◆ | 3603 (1634) |
| Max. Dynamic Load RMS – lb. (kg)◆ | 5760 (2613) |
| Frequency - Hz◆ | 9.15 |
| Water Pressure ^(Required) – psi (bar) | 10-75 (.68-5.1) |
| Water Valve - Cv Rating at 72°F (22°C) | 12.9 (49) |
| Minimum Recommended Distance Between Machines – in. (mm) | 12 (305) |

ELECTRICAL SPECIFICATIONS

| Voltage | Running Amps | Fuse (Amps) | Circuit Breaker (Amps) |
|---------------|--------------|-------------|------------------------|
| 220/3/50-60 | 38 | FRN50 | 50 |
| 208, 240/3/60 | 40, 35 | FRN50 | 50 |
| 380/3/50-60 | 23 | FRS30 | 30 |
| 415/3/50 | 21 | FRS25 | 25 |
| 480/3/60 | 19 | FRS25 | 25 |

See Fuse and Wire Size manual MAEFUSE1BE for safety information. Contact factory regarding single phase availability.

▲ See dimensional drawing for complete details.

◆ It is the sole responsibility of the owner/user to assure that the floor and/ or any other supporting structure exceeds not only all applicable building codes, but also that the floor and/ or any other supporting structure for each washer-extractor or group of washer-extractors has sufficient strength and rigidity (i.e., a natural or resonant frequency many times greater than the rotational machine speed with a reasonable factory of safety) to support the weight of all the fully loaded machine(s) including the weight of the water and goods, and including the published 360° rotating sinusoidal RMS forces that are transmitted by the machine(s). Contact the factory for additional machine data for use by a structural engineer.

■ Machine bases made from concrete should either be part of a monolithic pour or should be tied into foundation and not isolated from existing floor.