

M3535ED

35-lb x 2 Capacity OPL Stack Dryer

Standard Features:

- 35-lb. x 2 capacity
- Residual Moisture Control (RMC)
- Self-Diagnostic Microprocessor Control
- 100% Axial Airflow
- Completely Sealed Basket
- Non-Perforated Ribs and Basket
- Dual-Paned Door Glass
- Four-Point Roller Support System

Optional Features:

- Stainless Steel Front, Cabinet & Basket
- Single Phase Reversing
- S.A.F.E. (Sensor Activated Fire Extinguishing System)

Why Purchase Milnor EcoDry?

100% Axial Airflow (standard)

EcoDry tumblers incorporate a 100% axial airflow design with a completely sealed basket. This ensures the most efficient drying available on the market today without sacrificing dry times.

Four-Point Roller Support System (standard)

EcoDryers are designed with a four-point roller support system, eliminating costly repairs and downtime due to trunnion failures.

Residual Moisture Control (standard)

EcoDry utilizes a unique Residual Moisture Control (RMC) sensing system to measure the presence of moisture in the load. The patented system senses when the load is dry, shutting the unit down to prevent over-drying. This saves time, utility costs as well as prolongs the life of dried items.

Available Option: Single Phase Reversing

Single Phase Reversing is an optional feature on the ES-3535. What once was an expensive option requiring an upgrade from single phase to three phase electrical service is now available in single phase. A reversing tumbler ensures that the load doesn't "rope" or "ball up", providing a quicker, more even drying process.

Your local Milnor independent authorized distributor

OPL



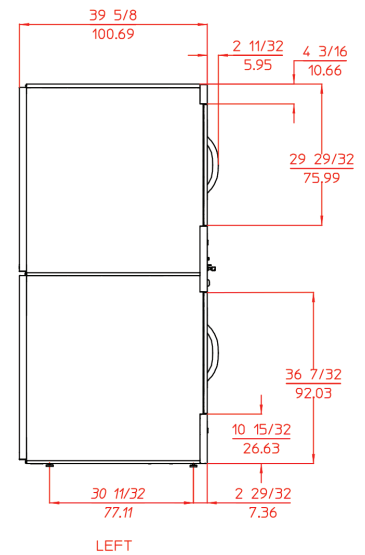
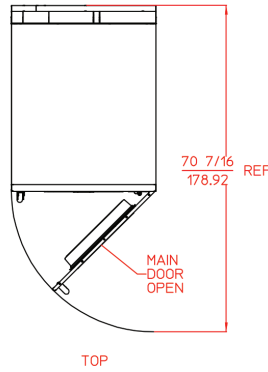
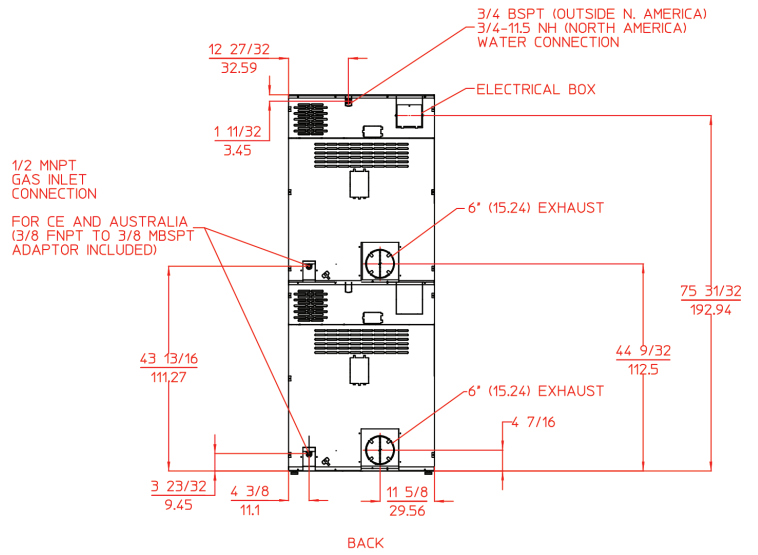
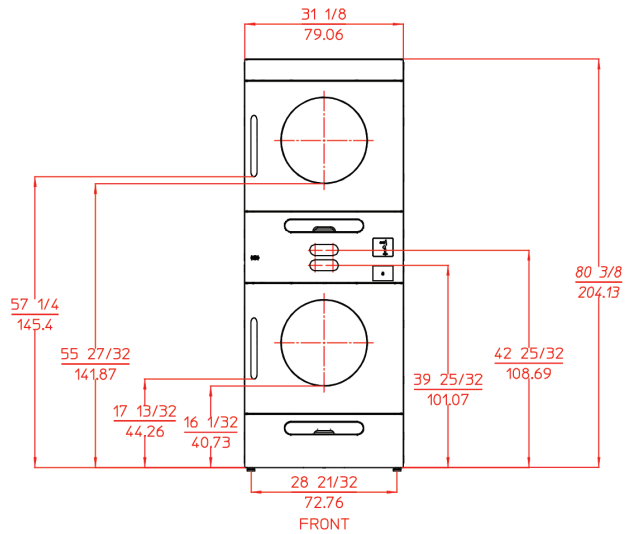
M3535ED OPL Stack Dryer



M3535ED

M3535ED Specifications

Tumbler Capacity (dry weight per pocket)	35 lbs. (15.88 kg) x 2	
Tumbler Diameter	30" (76.20 cm)	
Tumbler Depth	30" (76.20 cm)	
Tumbler Volume per pocket	12.27 cu ft (347.44 L)	
Tumbler/Drive Motor per pocket	0.25 hp (0.19 kW)	
Blower/Fan Motor per pocket	0.5 hp (0.37 kW)	
Door Opening (Diameter)	19-3/8" (49.21 cm)	
Door Sill Height	top pocket	54-11/16" (138.91 cm)
	bottom pocket	14-7/8" (37.78 cm)
S.A.F.E. Water Connection	North America	3/4"-11.5 NH
	Outside North America	3/4" B.S.P.T.
Dryers per 20'/40' Container	14 / 28	
Dryers per 53' Truck	36	
Width	31-1/8" (79.06 cm)	
Depth	39-5/8" (100.69 cm)	
Height	80-3/8" (204.13 cm)	
Airflow per pocket	380 cfm (10.76 cmm)	
Exhaust Connection	6" (15.24 cm)	
GAS MODEL:	Approx. Net Wt.	600 lbs (272.16 kg)
	Approx. Ship Wt.	630 lbs (285.76 kg)
	Heat Input 60 Hz	64,000 btu/hr (16,128 kcal/hr)
	50 Hz	55,000 btu/hr (13,860 kcal/hr)
Inlet Pipe Connection per pocket (CE and Australia Only)		3/8" M.B.S.P.T.
ELECTRICAL MODEL:	Approx. Net Wt.	600 lbs (272.16 kg)
	Approx. Ship Wt.	630 lbs (285.76 kg)
	Exhaust Connection (Diameter)	6" (15.24 cm)
Oven Size per pocket		
kW	Btu/hr	kcal/hr
7.9	26,962	6,794
8.3	28,327	7,138
9.0	30,716	7,740
11.3	38,566	9,719
12.4	42,320	10,665
12.5	42,661	10,751
13.5	46,074	11,611



* Not available in steam models.
** Specifications in parentheses are metric equivalents.

2/8/16

Electrical Service Specifications

SERVICE VOLTAGE	PHASE	WIRE SERVICE	APPROX AMP DRAW		CIRCUIT BREAKER
			60 Hz	50 Hz	
GAS					
120	1ø	2	10.3	--	15
200	1ø	2	8.7	8.8	15
208	1ø	2	8.4	--	15
220	1ø	2	8.1	8.1	15
230	1ø	2	--	7.4	15
240	1ø	2	7.7	7.0	15

Electrical Specs are per pocket

Electrical Service Specifications

SERVICE VOLTAGE	PHASE	WIRE SERVICE	OVEN KW	APPROX AMP DRAW		CIRCUIT BREAKER	SERVICE VOLTAGE	PHASE	WIRE SERVICE	OVEN KW	APPROX AMP DRAW		CIRCUIT BREAKER
				60 Hz	50 Hz						60 Hz	50 Hz	
ELECTRIC													
200	1ø	2	12.5	68.4	67.7	90	208	3ø	3	13.5	43.3	--	60
208	1ø	2	7.9	43.8	--	60	220	3ø	3	11.3	35.3	--	50
208	1ø	2	13.5	70.7	--	90	230	3ø	3	12.4	--	36.5	50
220	1ø	2	11.3	54.2	--	70	240	3ø	3	13.5	37.7	--	50
230	1ø	2	8.3	--	41.3	60	380	3ø	4	11.3	22.8	22.6	30
230	1ø	2	12.4	--	59.1	80	400	3ø	3,4	12.4	--	23.1	30
240	1ø	2	9.0	42.7	--	60	416	3ø	3,4	13.5	--	23.7	30
240	1ø	2	13.5	--	61.3	80							
208	1ø	2	13.5	61.5	--	60							

