

M236C

30-lb x 2 Capacity Coin Dryer

Standard Features:

- 30-lb. x 2 capacity
- 10.1 cu. ft. volume
- 160,000 btu/hr heat input, 400 cfm. airflow per pocket
- Radial airflow
- Steel door with gasketless glass
- Single 8" diameter vent connection for both pockets
- Independent electrical connections for each pocket
- Independent Microprocessor and coin drop for each pocket
- Single gas line connection
- Available in 3 Phase electric
- Only 28 -1/2" wide - fits through a standard 36" door
- Available in gas heat

Optional Features:

- Stainless Steel Front, Cabinet & Basket
- S.A.F.E. (Sensor Activated Fire Extinguishing System)
- Available in 3 Phase Electric

Why Purchase Milnor M236C?

Engineer Driven Design That is Built to Last

Our dryers showcase Milnor's engineer-driven approach to design. Bearings are permanently lubricated on the motor and drive system. There are no chains or gear reducers used at Milnor; rather, we use V-belts and pulleys for smooth, quiet, and trouble free operation. Our dryer cabinets are electrostatically powder-painted inside and out then baked at 420-degrees fahrenheit before final assembly - ensuring the hardest surface and the longest lasting finish in the industry.

Component Accessibility

The M236 is a dual pocket dryer that offers 98% component accessibility from the front of the tumbler. This feature allows the dryer to be placed against the wall without concern for regular rear maintenance. The M236 has a large lightweight lint drawer that is accessible and easy to clean -- only requiring cleaning once a day. It's fine, stainless steel lint screen is standard.

Rugged Steel Door with Gasketless Door Glass

Our dryer doors are one solid piece of steel with gasketless glass. This eliminates the issue of glass falling out due to wear and tear on rubber gaskets that some manufacturers use to secure their glass. The security and durability that gasketless glass provides is essential to a successful laundromat operation.

Easy-to-Read, Multilingual Controls

We were the first to bring computer operated dryers to the market and today we continue to be a leader in applying technology to dryer operation. Our years of experience along with our accessible design, easy-to-read LCD screens and our user friendly multilingual interface positions Milnor as the pioneer in the laundry industry.

Your local Milnor independent authorized distributor

COIN



M236C Coin Dryer

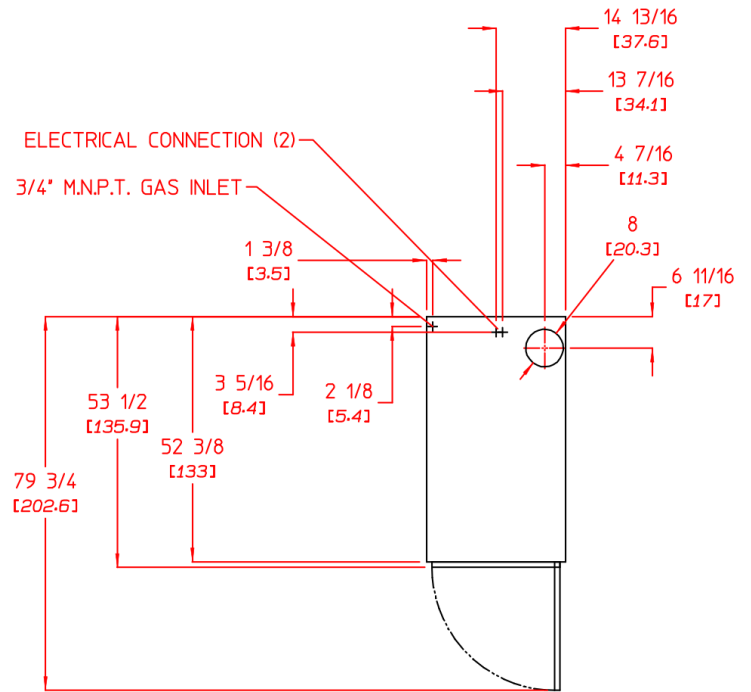


M236C

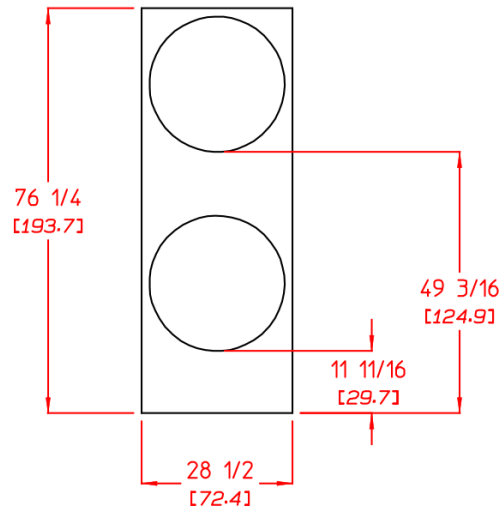
M236 Specifications

Maximum Capacity (dry weight)	30 lb	13.6 kg
Tumbler Diameter	27-1/4"	69.22 cm
Tumbler Depth	30"	76.2 cm
Tumbler Volume per pocket	10.1 cu ft	286 L
Tumbler / Drive Motor per pocket	1/2 hp	0.373 kW
Blower / Fan Motor* per pocket	1/2 hp	0.373 kW
Door Opening (diameter)	21-1/2"	54.61 cm
Door Sill Height top pocket / bottom pocket	51-1/4" / 13-1/2"	130.2 cm / 34.3 cm
Water Connection	N / A	
Dryers per 20'/40' Container	11 / 22	
Dryers per 48'/53' Container	30 / 33	
GAS MODEL		
Voltage Available	120-240V	1,3ø 2,3w 50/60 Hz
Approximate Net Weight	850 lb	385.5 kg
Approximate Shipping Weight	900 lb	408.2 kg
Airflow 60 Hz	400 cfm	11.33 cmm
50 Hz	333 cfm	9.44 cmm
Heat Input	80,000 Btu/hr	20,160 kcal/hr
Exhaust Connection (diameter)	8"	20.32 cm
Compressed Air Connection	N / A	
Compressed Air Volume	N / A	
Inlet Pipe Connection	3/4" F.N.P.T.	
	3/4" B.S.P.T. (CE and Australia Only)	
ELECTRIC MODEL		
Voltage Available	N/A	
Approximate Net Weight	N/A	
Approximate Shipping Weight	N/A	
Airflow per pocket	N/A	
Exhaust Connection (diameter) per pocket	N/A	
Compressed Air Connection	N/A	
Compressed Air Volume	N/A	
Oven Size per pocket	N/A	
kW	Btu/hr	kcal/hr
STEAM MODEL**		
Voltage Available	N/A	
Approximate Net Weight	N/A	
Approximate Shipping Weight	N/A	
Airflow per pocket	N/A	
Steam Consumption per pocket	N/A	
Operating Steam Pressure	N/A	
Exhaust Connection (diameter) per pocket	N/A	
Compressed Air Connection	N/A	
Compressed Air Volume	N/A	
Boiler Horsepower (Normal Load) per pocket	N/A	
Supply Connection per pocket	N/A	
Return Connection per pocket	N/A	

REV 02/28/16



PLAN VIEW



FRONT VIEW



Pellerin Milnor Corporation, P.O. Box 400, Kenner, LA 70063 USA,
Phone 504.712.7656 Toll Free: 800.469.8780 Fax: 504.468.3094

www.milnor.com