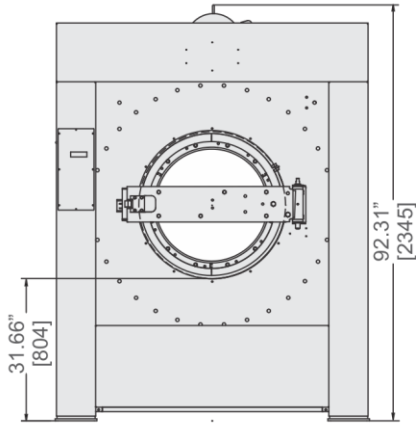


MWF100J7

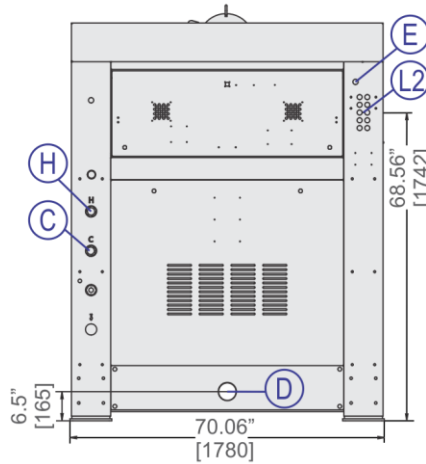
220 LB. (100KG) CAPACITY
SUSPENDED WASHER-EXTRACTOR

SPECIFICATION SHEET

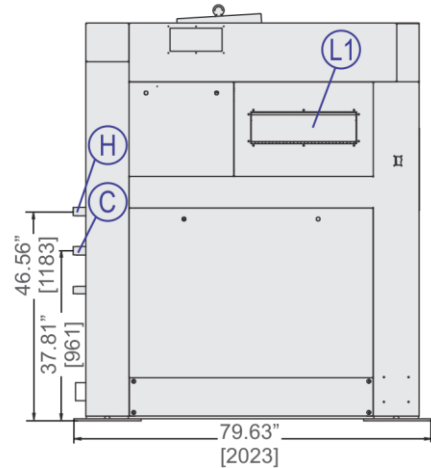
FRONT VIEW



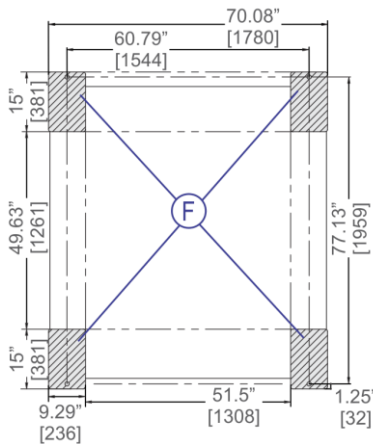
REAR VIEW



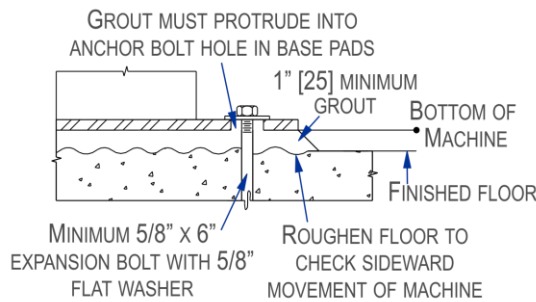
LEFT SIDE VIEW



FOUNDATION VIEW



ANCHORING DETAIL



LEGEND

A	Air inlet .25" (6.3mm) NPT
C	Cold water inlet 1.5" (38 mm) NPT
D	Drain to rear 4" (102 mm) PSJ
E	Electrical connection
F	Foundation pads; anchor bolt holes 1.06" (27mm)
H	Hot water inlet 1.5" (38 mm) NPT
L1	Soap chute
L2	Liquid soap inlets

MECHANICAL SPECIFICATIONS

ELECTRICAL SPECIFICATIONS

Capacity – lb. (kg)	220 (100)
Cylinder Diameter x Depth – in. (mm)	48x32 (1219x812.8)
Cylinder Volume – cu. ft. (L)	33.5 (948.6)
Door Opening – in. (mm)	30 (762)
Machine Dimensions (W x D x H) – in. (mm)	70.06x79.6x92.3 (1780x2023x2345)
Shipping Dimensions (W x D x H) – in. (mm)	81.5x84x94.5 (2070x2134x2400)
Motor – HP (kW)	20 (14.9)
Wash Speeds – RPM	30-38
Distribution Speed – RPM	66
Extraction Speeds – RPM	320-664
Extraction G-Force	300
Static Weight – lb. (kg) ✧	6388 (2898)
Max. Dynamic Load RMS – lb. (kg) ✧	660 (299.4)
Frequency – Hz	11.08
Water Pressure ^(Required) psi (bar)	10-75 (0.7-5.2)
Water Valve Cv Rating	49.1 (185.9)
Minimum Recommended Distance Between Machines – in. (mm)	16 (406)

Voltage	Running Amps	Fuse (Amps)	Circuit Breaker (Amps)
208/3/60	50	60	60
220/3/50-60	48	60	60
240/3/60	47	60	60
380/3/50-60	26	35	35
415/3/50	24	30	30
480/3/60	23	30	30

See Fuse and Wire Size manual MAEFUSE1BE for safety information. Contact factory regarding single phase availability.

▼ See dimensional drawing for complete details.

✧ It is the sole responsibility of the owner/user to assure that the floor and/or any other supporting structure exceeds not only all applicable building codes, but also that the floor and/or any other supporting structure for each washer-extractor or group of washer-extractors has sufficient strength and rigidity (i.e., a natural or resonant frequency many times greater than the rotational machine speed with a reasonable factory of safety) to support the weight of all the fully loaded machine(s) including the weight of the water and goods, and including the published 360° rotating sinusoidal RMS forces that are transmitted by the machine(s). Contact the factory for additional machine data for use by a structural engineer.



MWF100J7

220LB. (100KG) CAPACITY
SUSPENDED WASHER-EXTRACTOR

SPECIFICATION SHEET

Standard Features:

- RinSave® water saving technology
- 7 speeds (2 wash, 1 distribution, 1 RinSave, 3 extract)
- E-P Plus® Controller
- Back-lit LCD display
- Single-motor inverter drive
- Tall, lifting ribs
- Tapered roller bearings
- High M.A.F. (Mechanical Action Factor)
- Large cylinder perforations
- Fresh-water flushing chemical manifold
- Ten (10) liquid chemical injection ports
- Control reads in English/second language
- 5-year limited warranty on frame, cylinder & shell



Optional Features:

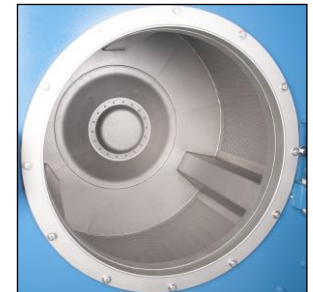
- Steam
- Electric heat
- 5 compartment flushing supply injector

Why Purchase Milnor?

- RinSave® water saver in conjunction with large cylinder perforations provides more efficient rinsing. **BENEFIT: Saves water, energy, and time.**
- Larger cylinder volume than most competitive similar sized washer-extractors provides *greater productivity*. More linen washed per day, or fewer hours required to process. **BENEFIT: Saves labor.**
- Greater cylinder perforated-area generates *better wash quality, better rinsing and better extraction*. **BENEFIT: Better extraction saves dryer fuel.**
- Faster process times reduce fabric wear, promoting *longer linen life!* **BENEFIT: Saves linen replacement costs.**
- Tall ribs provide excellent lift and high drop. **BENEFIT: Greater mechanical action (M.A.F.) leads to better wash quality.**
- 300-G high extract provides excellent moisture removal. Lower extract speeds are available for uniforms, delicate textiles and blended fabrics. **BENEFIT: Better extraction saves dryer fuel.**
- E-P Plus® Controller with back-lit LCD display allows operator to choose formulas from real words, not codes. Standard controller features English/Spanish (other languages optional). Controller also provides diagnostic and error messages. Shortens training time of new employees. **BENEFIT: Fewer operator errors.**
- Superior product support through local, highly-skilled dealers. **BENEFIT: Faster repairs mean less downtime.**



Safe chemical injection



Superior cylinder design



SmoothCoil™ 4 Point
Suspension System

Contact Milnor for your local, authorized dealer:

Pellerin Milnor Corporation
P. O. Box 400 • Kenner, LA 70063
t: 504-467-9591 • f: 504-468-3094

