

# MWF77C7

## 170 lb. (77 kg) Capacity Suspended Washer-Extractor Specification Sheet



[milnor.com](http://milnor.com)



### STANDARD FEATURES:

- RinSave® water saving technology
- 13.5° tilting forward
- 7 speeds (2 wash, 1 distribution, 1 RinSave, 3 extract)
- E-P Plus® programmable controller
- Single-motor inverter drive
- Tall, lifting ribs
- Tapered roller bearings
- High M.A.F. (Mechanical Action Factor)
- Large cylinder perforations
- Fresh-water flushing chemical manifold
- Six (6) liquid chemical injection ports
- Control reads in English/second language
- 5-year limited warranty on frame, cylinder & shell



### OPTIONAL FEATURES:

- Steam
- Electric heat
- 5 compartment flushing supply injector

## Why Purchase Milnor?

**BENEFIT: Saves water, energy and time.** RinSave® water saver in conjunction with large cylinder perforations provides more efficient rinsing.

**BENEFIT: Saves labor.** Larger cylinder volume than most competitive, similar-sized washer-extractors provides greater productivity. More linen washed per day, or fewer hours required to process.

**BENEFIT: Saves linen replacement costs.** Faster process times reduce fabric wear, promoting longer linen life!

**BENEFIT: Greater mechanical action (M.A.F.) leads to better wash quality.** Greater cylinder perforated area, tall rib construction and precise cylinder speeds generate better cleaning results, better rinsing, and better extraction.

**BENEFIT: Better extraction saves dryer fuel.** 300-G high extract provides excellent moisture removal. Lower extract speeds are available for uniforms, delicate textiles and blended fabrics.

**BENEFIT: Fewer operator errors.** E-P Plus® controller with backlit LCD display allows operator to choose formulas from real words, not codes. Standard controller features English/Spanish (other languages optional). Controller also provides diagnostic and error messages, shortening training time of new employees.

**BENEFIT: Faster repairs mean less downtime.** Superior product support through local, highly-skilled dealers.



Safe chemical injection



Superior cylinder design



SmoothCoil™ 4 Point Suspension System

Contact Milnor for your local, authorized dealer:

**PELLERIN MILNOR CORPORATION**

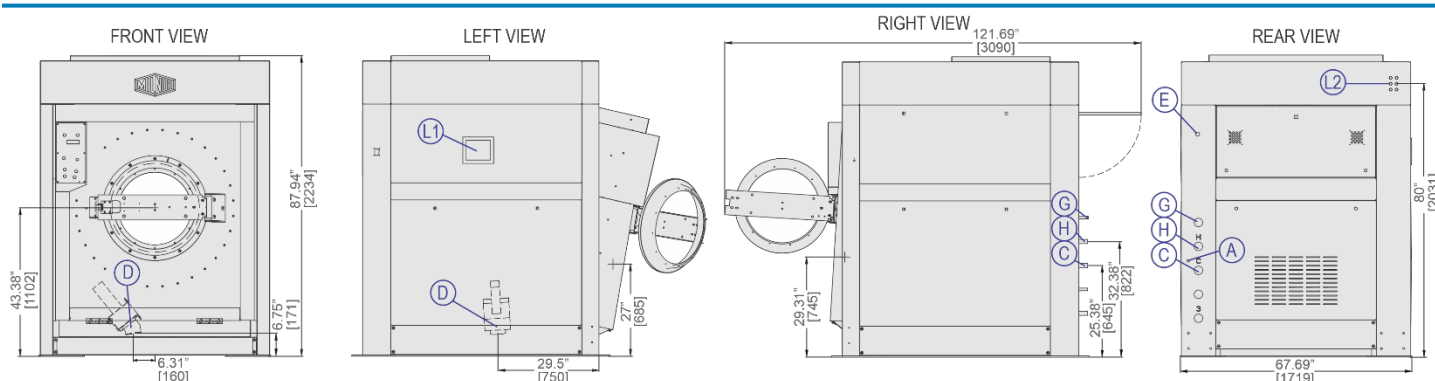
P.O. Box 400, Kenner, LA 70063 • t: 504-467-9591 • [milnorinfo@milnor.com](mailto:milnorinfo@milnor.com)

# MWF77C7

## 170 lb. (77 kg) Capacity Suspended Washer-Extractor Specification Sheet

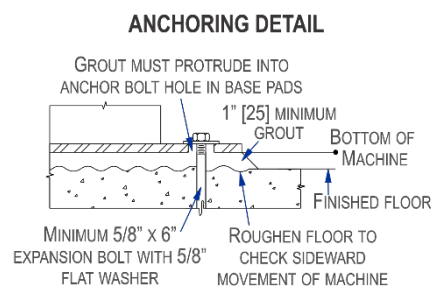
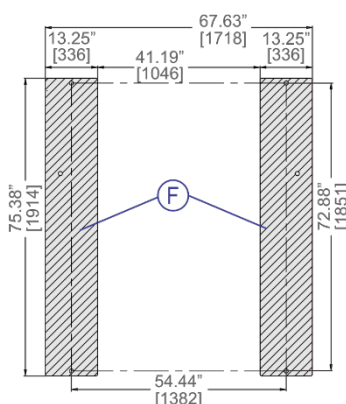


milnor.com



### LEGEND

<b>A</b>	Air inlet, .25" (6.3 mm) NPT
<b>C</b>	Cold water inlet, 1.25" (32 mm) NPT
<b>D</b>	Drain, 4.5" (114 mm)
<b>E</b>	Electrical connection
<b>F</b>	Foundation pads
<b>G</b>	Chemical flush, .75" (19 mm) NPT
<b>H</b>	Hot water inlet, 1.25" (32 mm) NPT
<b>L1</b>	Soap chute
<b>L2</b>	Liquid supply inlets



### RECOMMENDED



### MECHANICAL SPECIFICATIONS

Capacity – lb. (kg)	170 (77)
Cylinder Diameter x Depth – in. (mm)	42 x 32 (1067 x 813)
Cylinder Volume – cu. ft. (L)	25.7 (727)
Door Opening – in. (mm)	26 (660)
Machine Dimensions (W x D x H) – in. (mm)	67.64 x 77.95 x 87.95 (1718 x 1980 x 2234)
Shipping Dimensions (W x D x H) – in. (mm)	79 x 86 x 95 (2004 x 2187 x 2413)
Motor – HP (kW)	15 (11.2)
Wash Speed – RPM	36-40
Distribution Speed – RPM	60
Max. Final Extract – RPM	710
Extraction G-Force	300
Static Weight – lb. (kg)◆	6758 (3065)
Max. Dynamic Load RMS – lb. (kg)◆	1020 (463)
Frequency - Hz◆	11.82
Water Pressure <sup>(Required)</sup> – psi (bar)	10-75 (.68-5.1)
Water Valve - Cv Rating at 72°F (22°C)	12.9 (48.83)
Minimum Recommended Distance Between Machines – in. (mm)	12 (305)

### ELECTRICAL SPECIFICATIONS

Voltage	Running Amps	Fuse (Amps)	Circuit Breaker (Amps)
220/3/50-60	38	FRN50	50
208/3/60	40	FRN50	50
240/3/60	35	FRN50	50
380/3/50-60	23	FRS30	30
480/3/60	19	FRS25	25

See Fuse and Wire Size manual MAEFUSE1BE for safety information. Contact factory regarding single phase availability.

▲ See dimensional drawing for complete details.

◆ It is the sole responsibility of the owner/user to assure that the floor and/ or any other supporting structure exceeds not only all applicable building codes, but also that the floor and/or any other supporting structure for each washer-extractor or group of washer-extractors has sufficient strength and rigidity (i.e., a natural or resonant frequency many times greater than the rotational machine speed with a reasonable factory of safety) to support the weight of all the fully loaded machine(s) including the weight of the water and goods, and including the published 360° rotating sinusoidal RMS forces that are transmitted by the machine(s). Contact the factory for additional machine data for use by a structural engineer.

■ Machine bases made from concrete should either be part of a monolithic pour or should be tied into foundation and not isolated from existing floor.