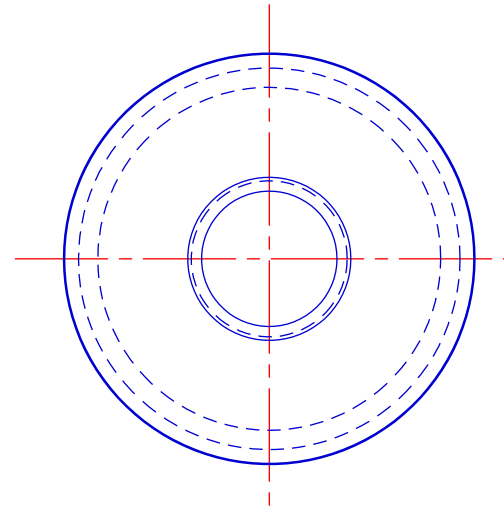
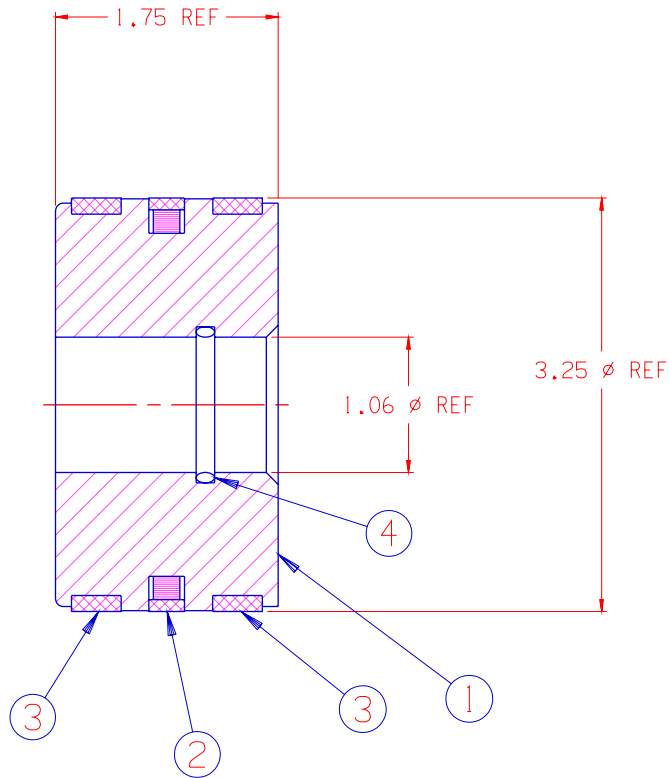


400871B

BILL OF MATERIAL

ITEM	DESCRIPTION	PART NO.	QTY
1	PISTON	411315B	1
2	PISTON SEAL	700150A	1
3	WEAR RING	721133A	2
4	O-RING	703121A	1



CHANGE MARK	CHANGE	NAME & DATE	USED ON	SIMILAR TO 400325B
	RELEASE FOR PRODUCTION ECN NO. 12266	D.E. 11-02	131332B	TOLERANCES* UNLESS OTHERWISE SPECIFIED (.X) - \pm .005 (.XXX) - \pm .015 (.XX) - \pm .03 ANGLES - \pm 1° REMOVE ALL SHARP CORNERS AND BURRS
				JARP INDUSTRIES INC. WAUSAU, WISCONSIN
				PISTON ASSEMBLY
DRAWN BY		DATE	CHECKED BY	DATE
PETITT		10-8-02	MPR	12-11-02
SCALE		NUMBER		
FULL		400871B		