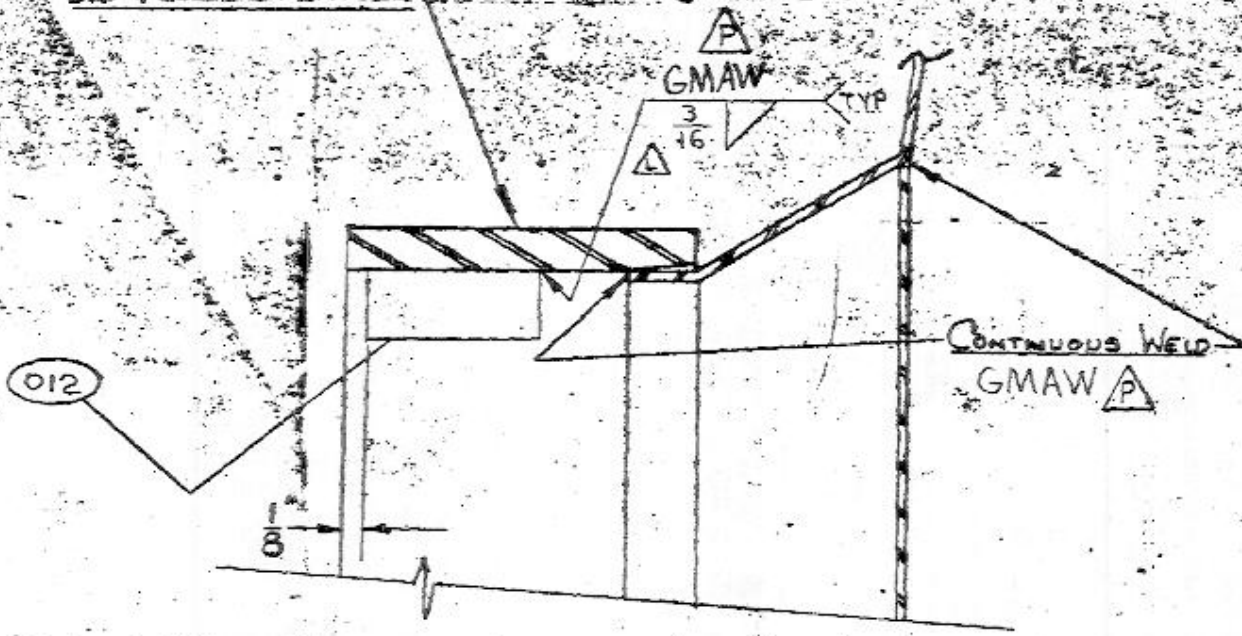
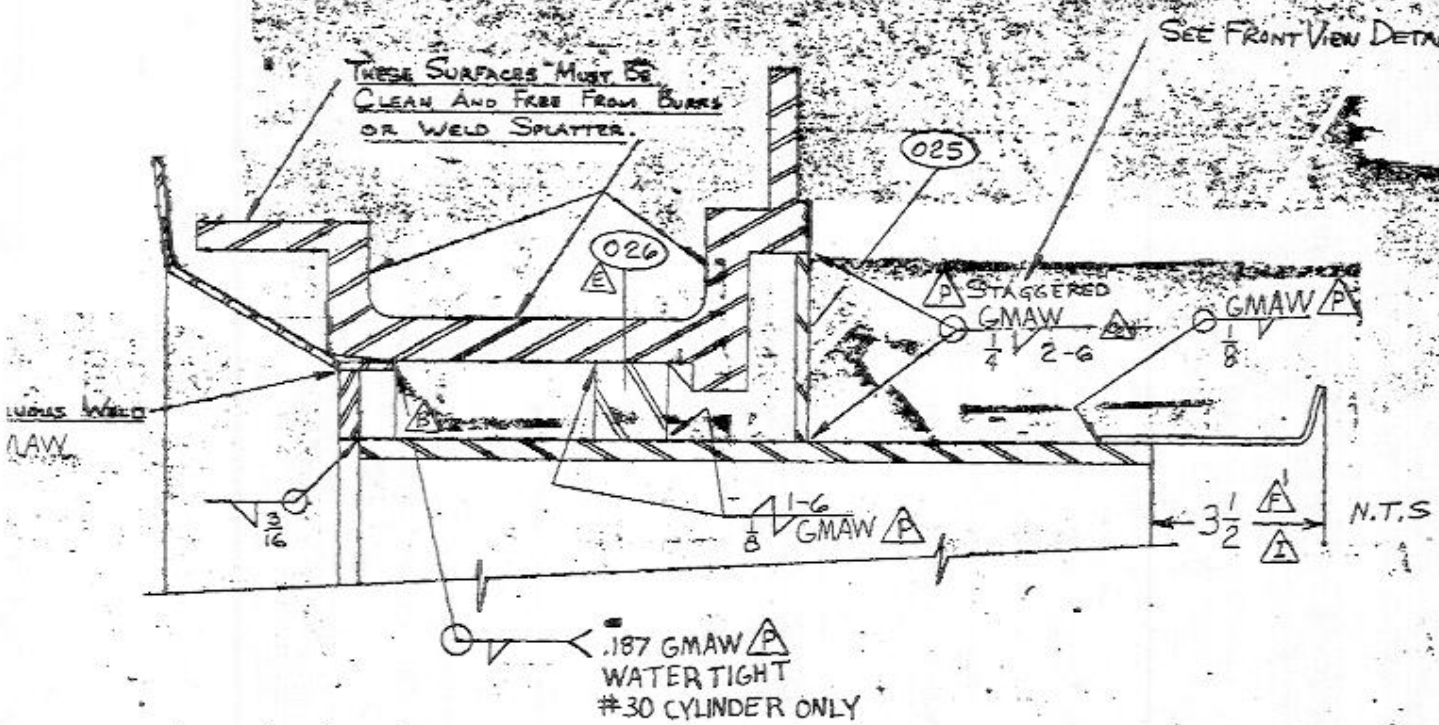


THESE SURFACES MUST BE
CLEAN AND FREE FROM BURRS
OR WELD SPLATTER



NORMAL ENTRY RING.

FOR LAST MODULE + MID MODULE,

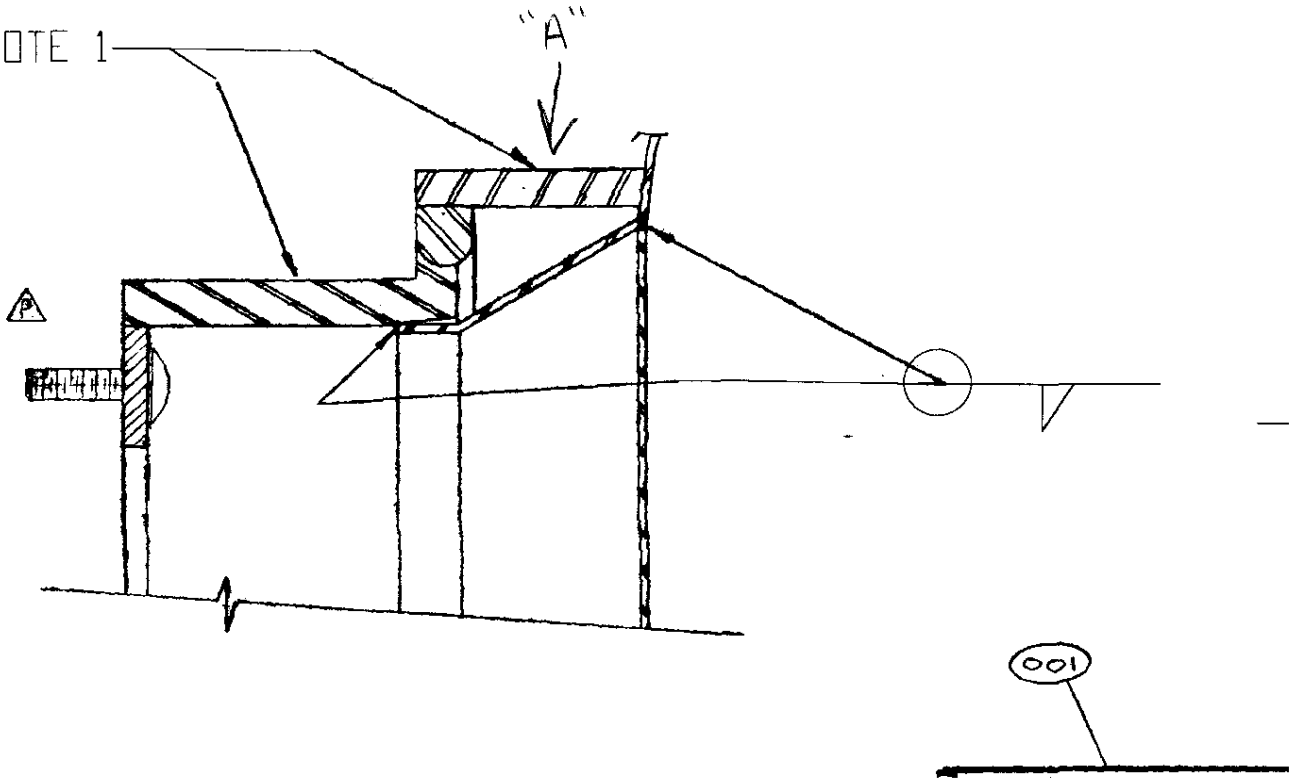


LAST MOD EXIT RING.

NOTICE THAT THE SUPPORT RING IS CUT OFF AND THE PART "025" IS MOVED TOWARD THE CYLINDER FROM NORMAL.

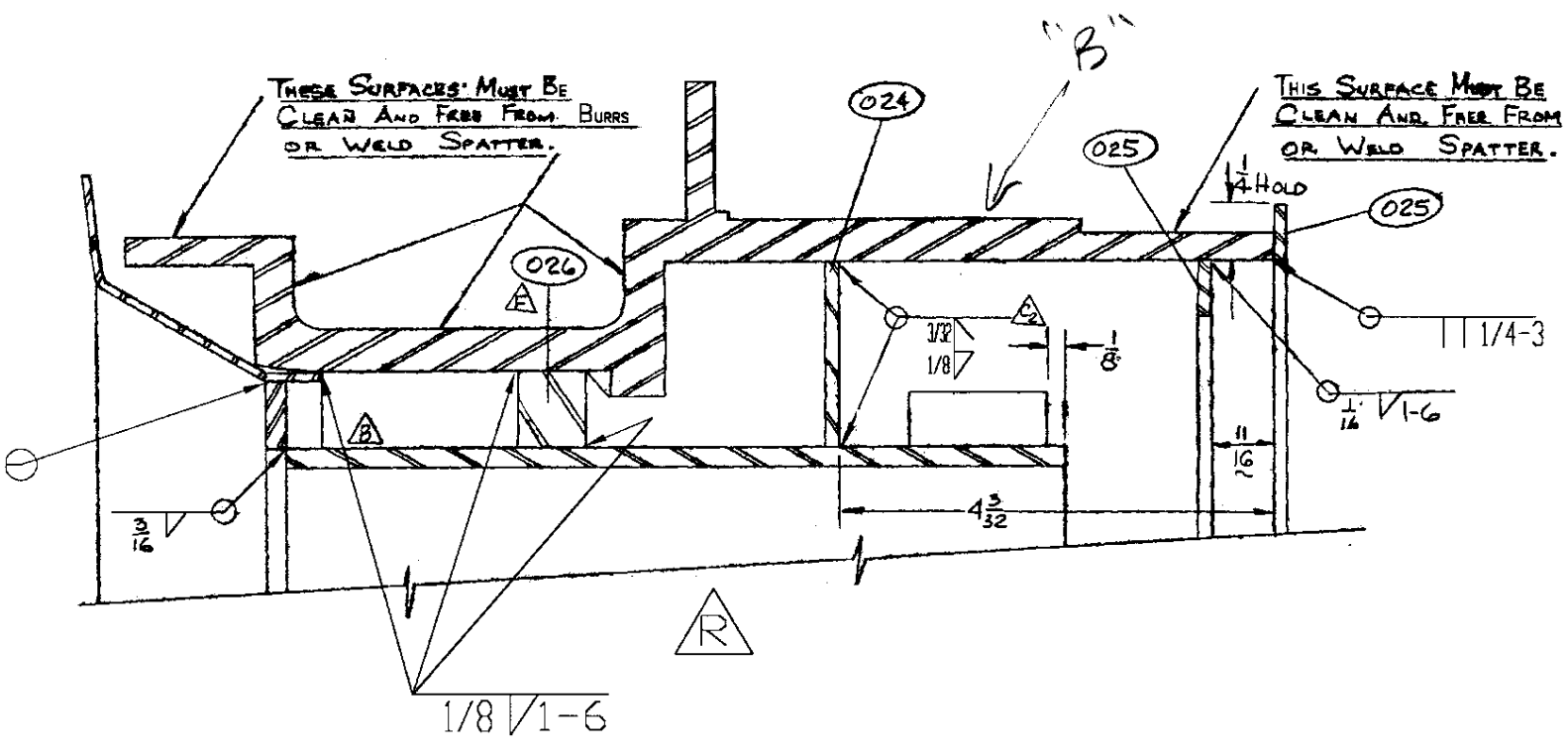
S

SEE NOTE 1



ENTRY RING FOR FIRST MODULE

BOLT RING IS ADDED AND LSEAL SURFACE "A" IS ADDED. THIS (BOTH) WOULD HAVE TO BE REMOVED TO USE THIS AS A MID MODULE.



NORMAL EXIT RING FOR
 FIRST AND MID MODULE.
 NOTE EXTENDED AREA "B".
 THIS DOES NOT EXIST ON THE
 LAST MODULE.