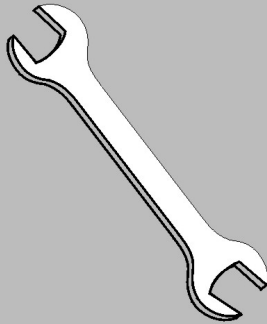


Published Manual Number/ECN: H00000014/2000116N

- Publishing System: TPAS
- Access date: 3/27/01
- Document ECN's: Latest Available



Kit Instruction— KWRBBA0001



Please Read

About the Manual Identifying Information on the Cover

The front cover displays pertinent identifying information for this manual. Most important, are the published manual number (part number) /ECN (date code). Generally, when a replacement manual is furnished, it will have the same published manual number, but the latest available ECN. This provides the user with the latest information applicable to his machine. Similarly all documents comprising the manual will be the latest available as of the date the manual was printed, **even though older ECN dates for those documents may be listed in the table of contents.**

When communicating with the Milnor factory regarding this manual, please also provide the other identifying information shown on the cover, including the publishing system, access date, and whether the document ECN's are the latest available or exact.

References to Yellow Troubleshooting Pages

This manual may contain references to "yellow pages." Although the pages containing troubleshooting procedures are no longer printed on yellow paper, troubleshooting instructions, if any, will be contained in the easily located "Troubleshooting" chapter or section. See the table of contents.

Trademarks of Pellerin Milnor Corporation

The following, some of which may be used in this manual, are trademarks of Pellerin Milnor Corporation:

Ampsaver [®]	Dye-Extractor [®]	Gear Guardian [®]	Milnet [®]	Staph-Guard [®]
Autolint [®]	Dyextractor [®]	Hands-Off [®]	Milnor [®]	System 4 [®]
Auto-Purge [®]	E-P Express [®]	Hydro-Cushion [®]	Miltrac	System 7 [®]
Autovac	E-P OneTouch [®]	Mildata [®]	Miltron	Totaltrol [®]
CBW [®]	E-P Plus [®]			

Comments and Suggestions

Help us to improve this manual by sending your comments to:

Pellerin Milnor Corporation
Attn: Technical Publications
P. O. Box 400
Kenner, LA 70063-0400

Fax: (504) 469-1849

Blower Damper & Drive Assembly

50040TS1,TT1,CS1,SA1,SB1

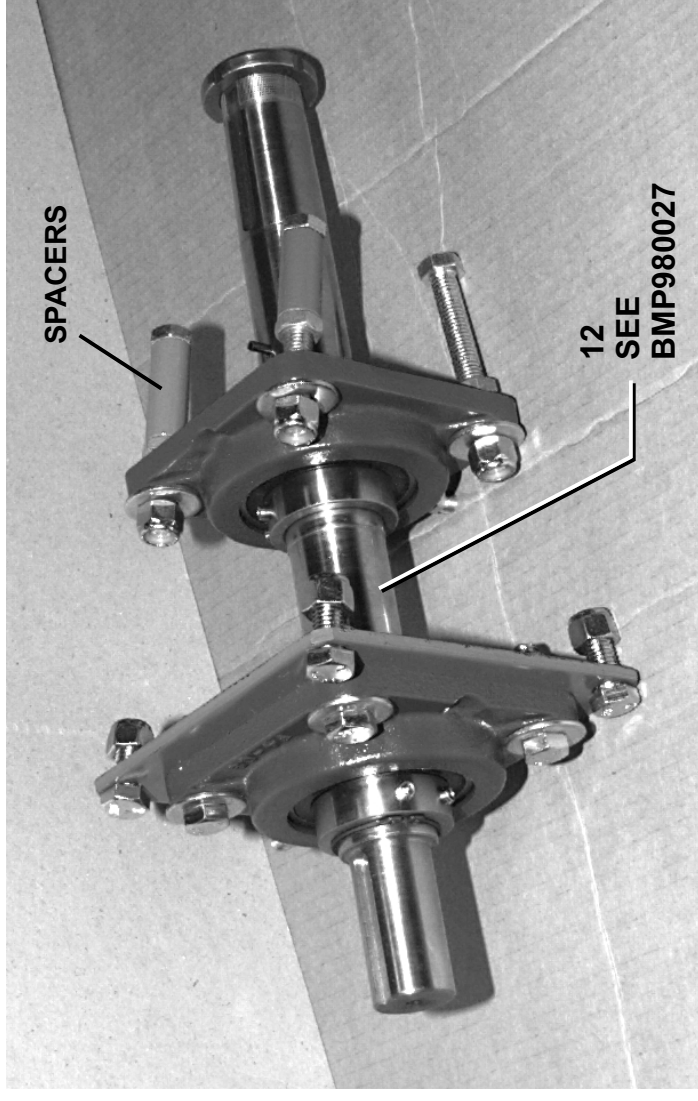
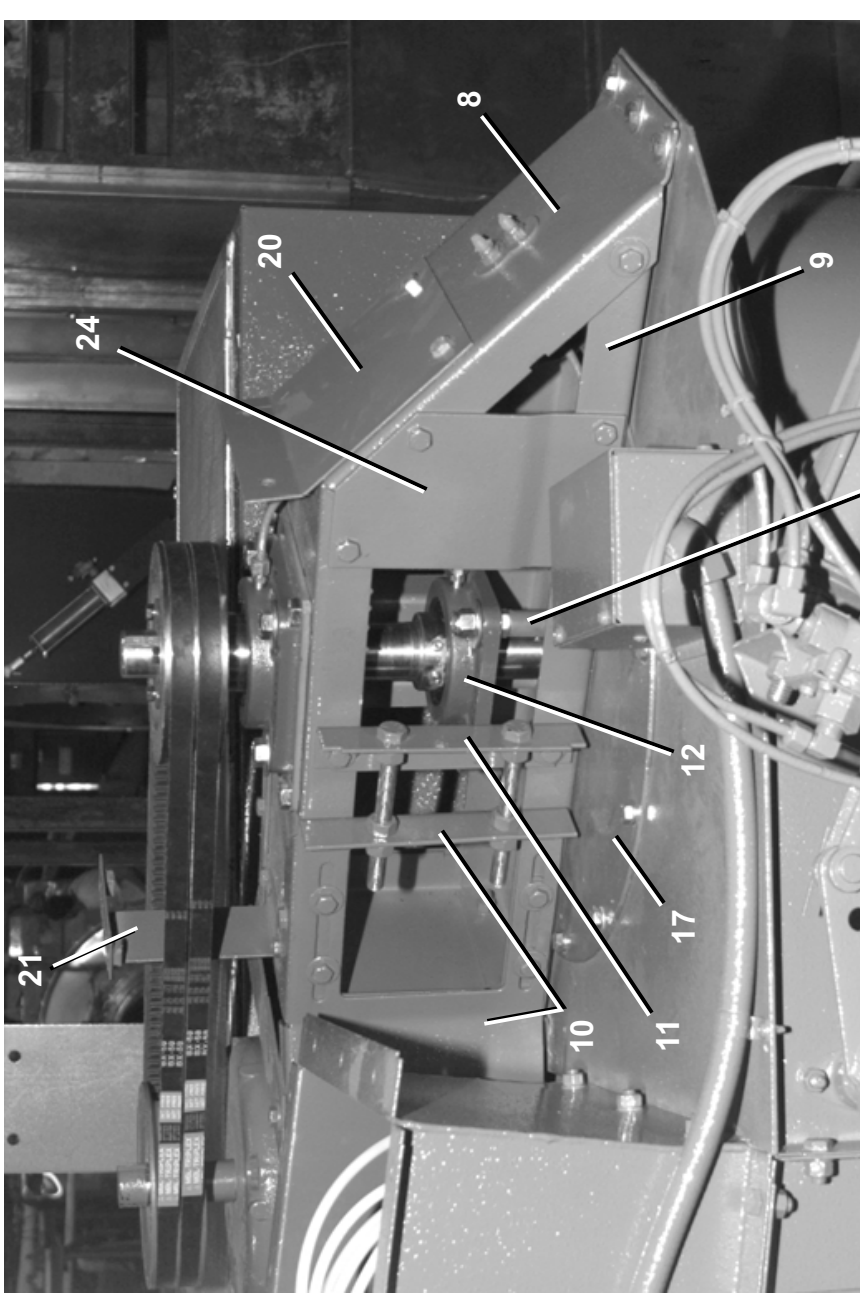
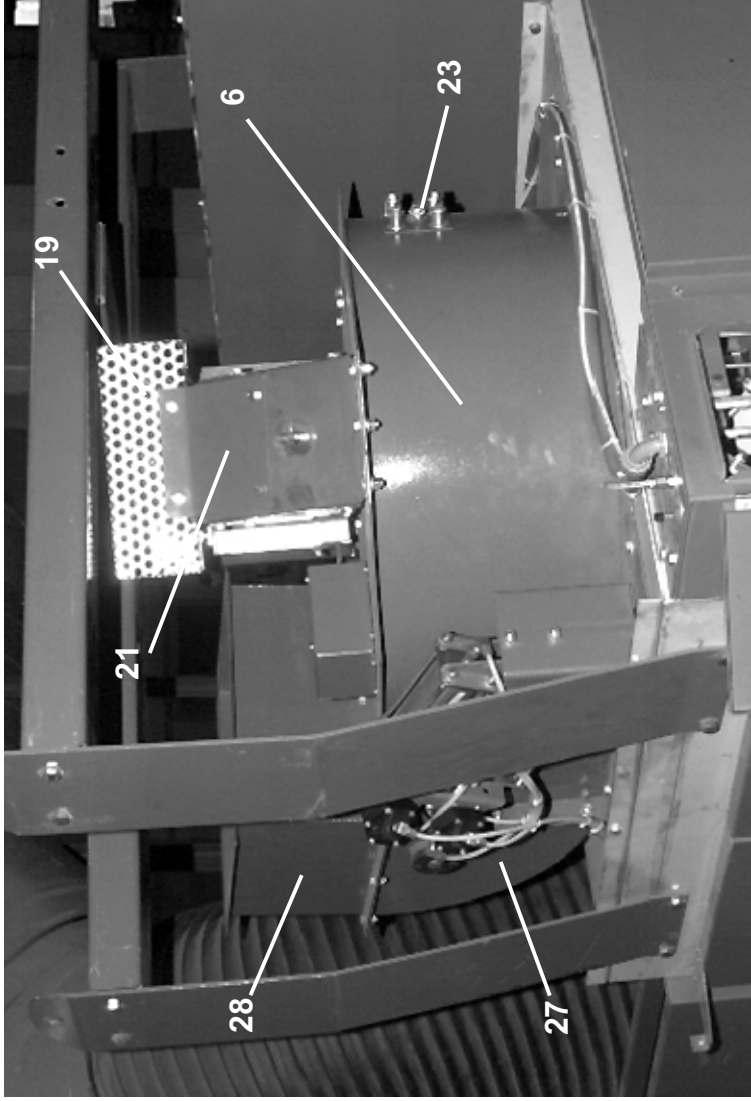
BMP970026/98171V
(Sheet 1 of 3)



Pellerin Milnor Corporation
P. O. Box 400, Kenner, LA 70063-0400

BMP970026/98171V (1 of 3)

Litho in U.S.A.



BLOWER BEARING

INSTALLING FLANGED BEARINGS:

1. Remove old housing. Retain shaft key and blower washer, nut, spacers and seal cap (underside of blower). Discard old felt seal (14) and washers (13).
2. Install 1/2-3x4 bolts, jam nuts, spacers, and washers on the lower blower bearing flange (see the blower bearing assembly, BMP980027). Use Locktite 271 (or equivalent) on jam nuts.
3. Align lower flange. Ensure blower bearing shaft is centered within housing, then tighten bolts. Do not tighten bearing set screws.
4. Align upper flange with lower flange. Ensure blower bearing shaft is parallel with the motor then tighten upper flange.
5. Reinstall seal cap (15) and new felt seal (14) and washers (13).
6. Attach blower fan and check that fan turns freely.
7. Install and align pulleys and drive belts.
8. Coat bearing set screws with Locktite 242 (or equivalent). Tighten screws lightly on blower shaft.

Blower Damper & Drive Assembly

50040TS1,TT1,CS1,SA1,SB1

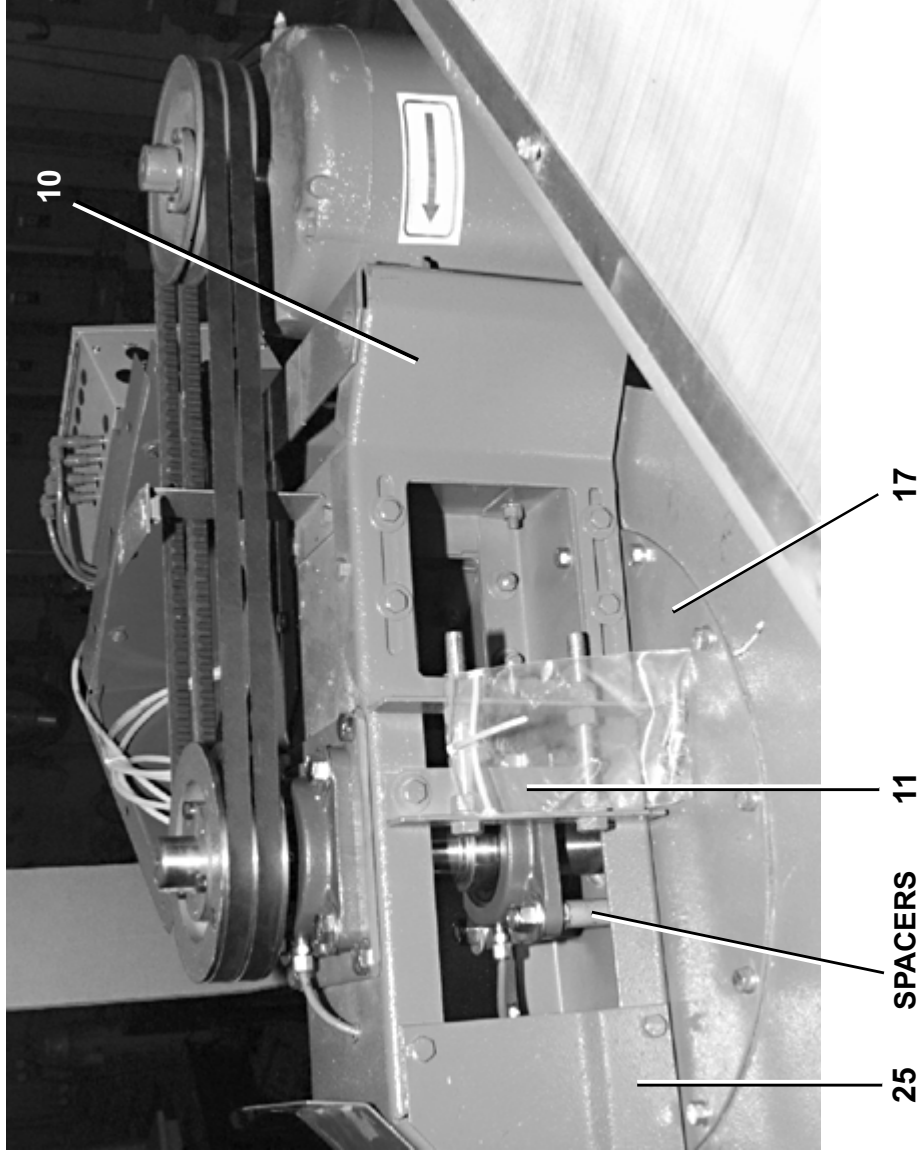
BMP970026/98171V
(Sheet 2 of 3)



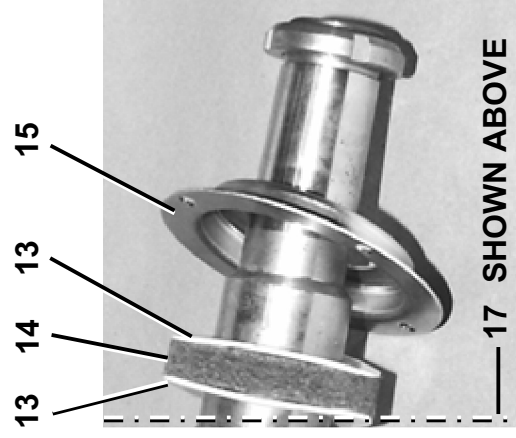
Pellerin Milnor Corporation
P. O. Box 400, Kenner, LA 70063-0400

BMP970026/98171V (2 of 3)

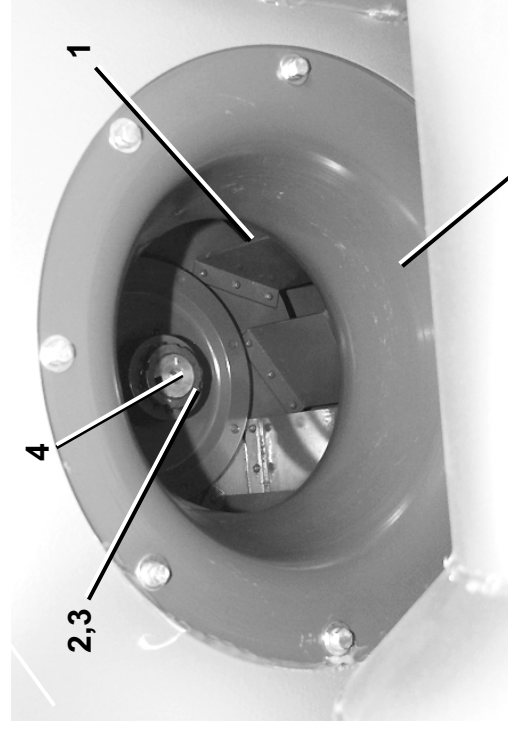
Litho in U.S.A.



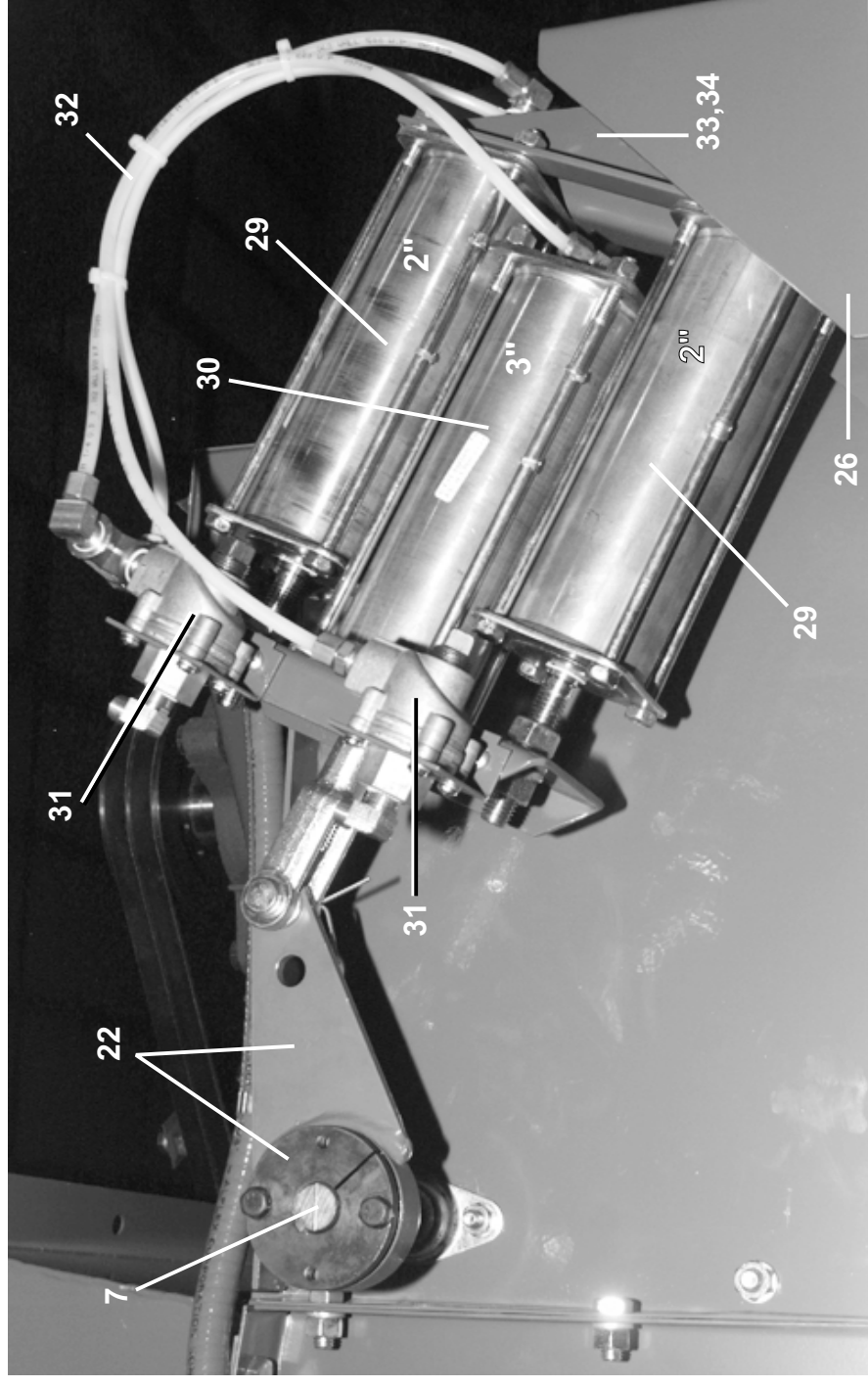
13 14 13 15



— 17 SHOWN ABOVE



UNDERSIDE OF BLOWER



BLOWER DAMPER AIR CYLINDERS



Pellerin Milnor Corporation
P. O. Box 400, Kenner, LA 70063-0400

BMP970026/98171V (3 of 3)

Litho in U.S.A.

Parts List—Blower Damper & Drive Assembly
Find the correct assembly first, then find the needed components. The item letters (A, B, C, etc.) assigned to assemblies are referred to in the "Used In" column to identify which components belong to an assembly. The item numbers (1, 2, 3, etc.) assigned to components relate the parts list to the illustration.

Used In		Item	Part Number	Description	Comments
				ASSEMBLIES	
A	A74BA001		93000Z	50040DRY BLWR+DMPR DR ASSY	
B	A76AC001		881611	15"BLOWER DAMP.AIR CYL ASSY	
				COMPONENTS	
all		1	A76BA005C	92331# 15" DIA FAN BALANCING 5840	
all		2	56AHN08	N08 BEARING LOCKNUT	
all		3	56AHW108	TW108 BEARING LOCKWASHER	
all		4	15E225	SQMACHKEY 3/8X1+1/2 NOTAPER-NOHEAD	
all		5	07 60067	86283D 15" DIA INLET NOZZLE 5840	
all		6	W7 40400	94177D*WLMT=50040DRY BLOWER HOUSE	
all		7	W7 60060	92333B*15"BLOWER DAMPER WLMT	
all		8	07 60077A	94132D 15"BLWR BKT MTR TOP CHNL	
all		9	07 60078A	89393D 15"BLWR BKT MTR BOT CHNL	
all		10	07 60039	89281D 15"BLOWER MOTOR MT BRKT	
all		11	07 50252	86286C ANGLE=BELT ADJ BLOWER MOTOR	
all		12	A75BG002	98000ZBLOWER BEARING ASSY	
all		13	07 50298	98181BBLOWER SHAFT TEFLON SEAL	
all		14	07 50287	85192B BLOWER SHAFT FELT SEAL	
all		15	07 50286	85192B BLOWER SHAFT SEAL CAP	
all		16	07 60043	86236B SPACER 3/40DX12GA WALLX2.156	
all		17	07 60037	86236C 15"BLOWER HOUS.COVER PLATE	
all		19	A75BA003	94156#*ASSY=BELT GUARD MAIN BLOWER	
all		20	07 60075	86517BBRKT=15"BLOWER BELT GUARD LFT	
all		21	07 50262	90187B BRACKET=MAIN BLW BELT GUARD	
all		22	W7 50234	85446C*DAMPER ARM WLMT	
all		23	07 60265A	96337C LINT NOZZLE CVR PL NO HOLE	
all		24	07 60090	89352C 15"BLOWER BKT.SUPPORT L.	
all		25	07 60090A	89352# 15"BLOWER BKT SUPPORT R	
all		26	07 40406	94243C 15 BLOWER DAMP CTRL MT BRKT	
all		27	W7 40401	94432C*WLMT=BLOWER TRANSITION LOWER	
all		28	W7 40402	94146C*WLMT=BLOWER TRANSITION UPPER	

Used In		Item	Part Number	Description	Comments
all		27	W7 40401	94432C WLMT=BLOWER TRANSITION LOWER	
all		28	W7 40402	94146C WLMT=BLOWER TRANSITION UPPER	
all		29	A76AC001A	89463T AIR CYL.2-3/8 BORE 2"STROKE	
all		30	A76AC001B	89463@ AIR CYL.2-3/8 BORE 3"STROKE	
all		31	96M055	01Z QUICK EXHAUST VALVE 1/4"	
all		32	60E004NTN	01Z TUBING NYL(NAT) 1/4"ODX.127ID	
all		33	07 60071	86327B AIR CYLINDERS MOUNTING BRKT	
all		34	07 60070	86327L AIR CYLINDERS PIVOT BRKT	

Blower Bearing & Shaft
50040 58040 58058 58080 72072 Dryers Dryvac01/02

BMP980027/98401V
 (Sheet 1 of 1)



Pellerin Milnor Corporation
 P. O. Box 400, Kenner, LA 70063-0400

BMP980027/98401V (1 of 1)

Litho in U.S.A.

Parts List—Blower Bearing & Shaft
 Find the correct assembly first, then find the needed components. The item letters (A, B, C, etc.) assigned to assemblies are referred to in the "Used In" column to identify which components belong to an assembly. The item numbers (1, 2, 3, etc.) assigned to components relate the parts list to the illustration.

Used In	Item	Part Number	Description	Comments
	A	A75BG002	98000ZBLOWER BEARING ASSY	
			-----ASSEMBLIES-----	
			-----COMPONENTS-----	
all	1	07 50296	98146CREAR BRNG BASE	
all	2	07 50297	98186DBLOWER SHAFT	
all	3	56F1P4	FLGBRG MCGILL FC4-25-1+3/4	
all	4	56F1N4	FLGBRG MCGILL FC4-25-1+11/16	
all	5	15H091A	SPRINGAIN 3/16X2.5 STEEL	
all	6	17B064	EXTRETRING STL WALDES 5100-168	
all	7	15Q119	SOKSETSCR 5/16-24X3/8 SSNYLTIP.	
all	8	15K151	HXCAPSCR 1/2-13UNC24X1.25 GR5 PLATE	
all	9	15K173A	HXCAPSCR 1/2-13UNC2AX1.75 GR5 PLATD	
all	10	15D119	HXTAPSCR 1/2-13X4 GR5 ZNC FULLTHRD	
all	11	15G231	HXFJNAMNUT 1/2-13UNC2B ZINC GR2	
all	12	15G234N	HXLOCKNUT NYL 1/2-13UNC2 STL/ZNC	
all	13	15U280	01Z FL+WASHER(USS STD)1/2 ZNC PL+D	
all	14	53A005B	BODYMALCON1/4X1/8COMP #B68A-4A	

