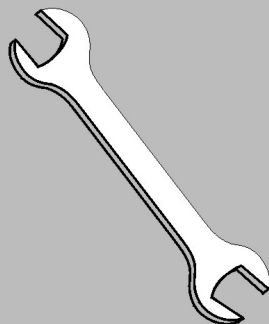


Published Manual Number/ECN: H6P013B37R/99503N

- Publishing System: TPAS
- Access date: 1/22/01
- Document ECN's: Latest Available



Kit Instruction— H6P013B37R



Please Read

About the Manual Identifying Information on the Cover

The front cover displays pertinent identifying information for this manual. Most important, are the published manual number (part number) /ECN (date code). Generally, when a replacement manual is furnished, it will have the same published manual number, but the latest available ECN. This provides the user with the latest information applicable to his machine. Similarly all documents comprising the manual will be the latest available as of the date the manual was printed, **even though older ECN dates for those documents may be listed in the table of contents.**

When communicating with the Milnor factory regarding this manual, please also provide the other identifying information shown on the cover, including the publishing system, access date, and whether the document ECN's are the latest available or exact.

References to Yellow Troubleshooting Pages

This manual may contain references to "yellow pages." Although the pages containing troubleshooting procedures are no longer printed on yellow paper, troubleshooting instructions, if any, will be contained in the easily located "Troubleshooting" chapter or section. See the table of contents.

Trademarks of Pellerin Milnor Corporation

The following, some of which may be used in this manual, are trademarks of Pellerin Milnor Corporation:

Ampsaver [®]	Dye-Extractor [®]	Gear Guardian [®]	Milnet [®]	Staph-Guard [®]
Autolint [®]	Dyextractor [®]	Hands-Off [®]	Milnor [®]	System 4 [®]
Auto-Purge [®]	E-P Express [®]	Hydro-Cushion [®]	Miltrac	System 7 [®]
Autovac	E-P OneTouch [®]	Mildata [®]	Miltron	Totaltrol [®]
CBW [®]	E-P Plus [®]			

Comments and Suggestions

Help us to improve this manual by sending your comments to:

Pellerin Milnor Corporation
Attn: Technical Publications
P. O. Box 400
Kenner, LA 70063-0400

Fax: (504) 469-1849

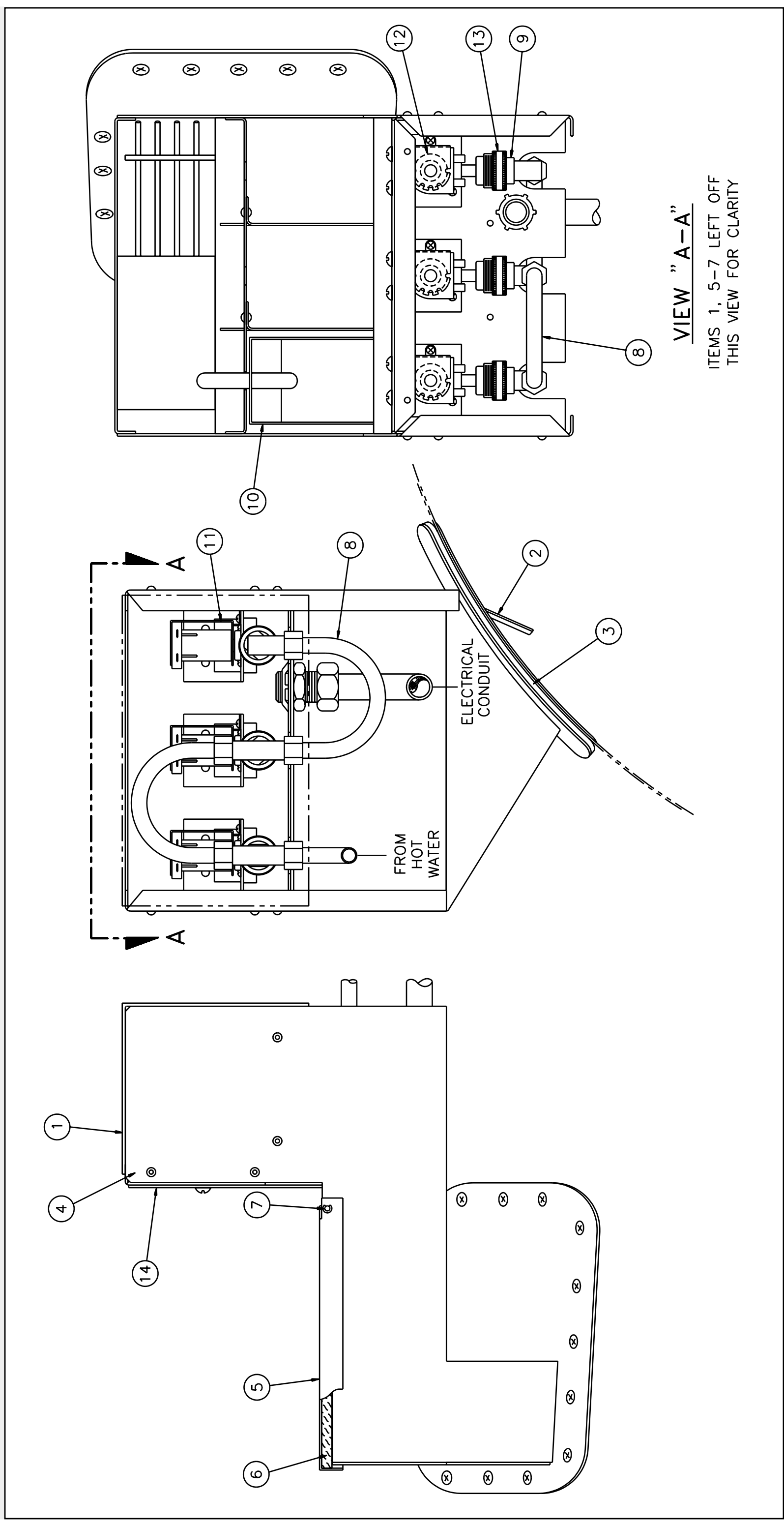
3 Compartment Supply Injector

BMP770149/2000333V
(Sheet 1 of 2)



Pellerin Milnor Corporation
P. O. Box 400, Kenner, LA 70063-0400

Litho in U.S.A.





Pellerin Milnor Corporation
P. O. Box 400, Kenner, LA 70063-0400

Litho in U.S.A.

Parts List—3 Compartment Supply Injector

Find the correct assembly first, then find the needed components. The item letters (A, B, C, etc.) assigned to assemblies are referred to in the "Used In" column to identify which components belong to an assembly. The item numbers (1, 2, 3, etc.) assigned to components relate the parts list to the illustration.

Used In	Item	Part Number	Description	Comments
-----ASSEMBLIES-----				
	A	GWS33001B	89241@ INSTALL 4SUP INJ SYSTEM 7	3 COMPARTMENT SUPPLY INSTALLATION CONTAINS ITEMS 4-13
	B	AWS33001B	89241D*ASSY=3FLUSH SUP INJ SYSTEM 7	
-----COMPONENTS-----				
all	1	02 03732B	94031B COVER 4 COMP SUPPLY VALVES	
all	2	02 03732F	90346C TAPPED PLATE=SUPPLY MOUNT	
all	3	02 03304A	94493C GASKET=SOAP CHUTE 1/8"EPDM	
all	4	W2 03732	93102D* SUPPLY INJECTOR 4 COMP SUPP	
all	5	02 03732G	87501C LID=4 COMPARTMENT SUPPLY	
all	6	02 03732U	78302B GASKET=LID 4 COMP SUPPLY	
all	7	02 03732S	78132B HINGE PIN=LID 4 COMP SUPPLY	
all	8	02 03732T	77411B TUBE COPPER-VALVE CONN. 3/8	
all	9	02 03732Z	83446B ADAPTER HOSE THD 3/4"X1/4 NPT	
all	10	W2 03732A	93303B* SUPPLY CUP WLMT 4 COMP SUPP	
all	11	96P013B71	04Z 3/4" 2WAY PLASTIC VALVE 240V60C	
all	12	60C007	RUBGROM #2861 1/2ID-13/16X1/8PNL MT	
all	13	53A060H	KNURLED HOSE NUT 3/4-HOSE PH#94GH-12	
all	14	01 10438X	95072B NPLT:3POCK SUPPLY SYSTEM7ISO	SYS 7 - HOTEL
all	14	01 10438Y	95072B NPLT:3POCK SUPPLY EP-PLUSISO	EP PLUS
all	14	01 10438L	92343C NPLT:M4A 3 COMPARTMENT SUPPY	M4A