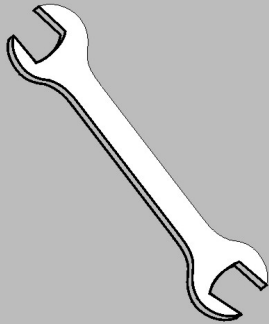


Published Manual Number/ECN: HDADDAI001/2003333A

- Publishing System: TPAS
- Access date: 08/12/03
- Document ECN's: Exact



Kit Instruction— KDADDAI001



Please Read

About the Manual Identifying Information on the Cover

The front cover displays pertinent identifying information for this manual. Most important, are the published manual number (part number) /ECN (date code). Generally, when a replacement manual is furnished, it will have the same published manual number, but the latest available ECN. This provides the user with the latest information applicable to his machine. Similarly all documents comprising the manual will be the latest available as of the date the manual was printed, **even though older ECN dates for those documents may be listed in the table of contents.**

When communicating with the Milnor factory regarding this manual, please also provide the other identifying information shown on the cover, including the publishing system, access date, and whether the document ECN's are the latest available or exact.

References to Yellow Troubleshooting Pages

This manual may contain references to "yellow pages." Although the pages containing troubleshooting procedures are no longer printed on yellow paper, troubleshooting instructions, if any, will be contained in the easily located "Troubleshooting" chapter or section. See the table of contents.

Trademarks of Pellerin Milnor Corporation

The following, some of which may be used in this manual, are trademarks of Pellerin Milnor Corporation:

Ampsaver [®]	Dye-Extractor [®]	Gear Guardian [®]	Milnet [®]	Staph-Guard [®]
Autolint [®]	Dyextractor [®]	Hands-Off [®]	Milnor [®]	System 4 [®]
Auto-Purge [®]	E-P Express [®]	Hydro-Cushion [®]	Miltrac	System 7 [®]
Autovac	E-P OneTouch [®]	Mildata [®]	Miltron	Totaltrol [®]
CBW [®]	E-P Plus [®]			

Comments and Suggestions

Help us to improve this manual by sending your comments to:

Pellerin Milnor Corporation
Attn: Technical Publications
P. O. Box 400
Kenner, LA 70063-0400

Fax: (504) 469-1849

Air Inject Assembly
52038WP1/WTL/WTN 64046E6N,J6N 72046E5N/J5N, 72058J5N

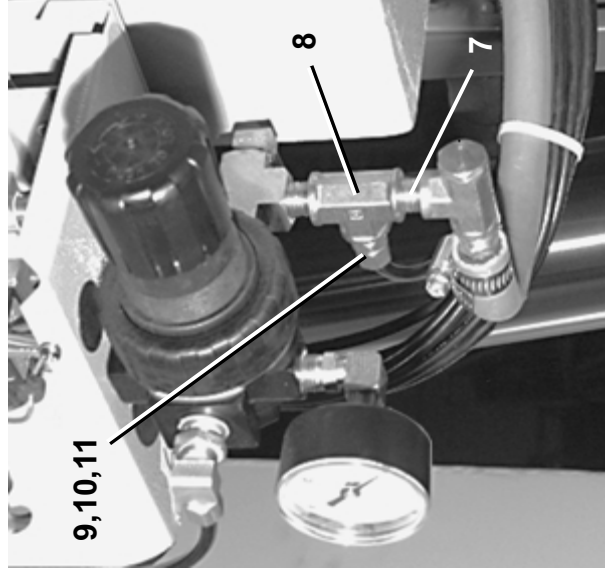
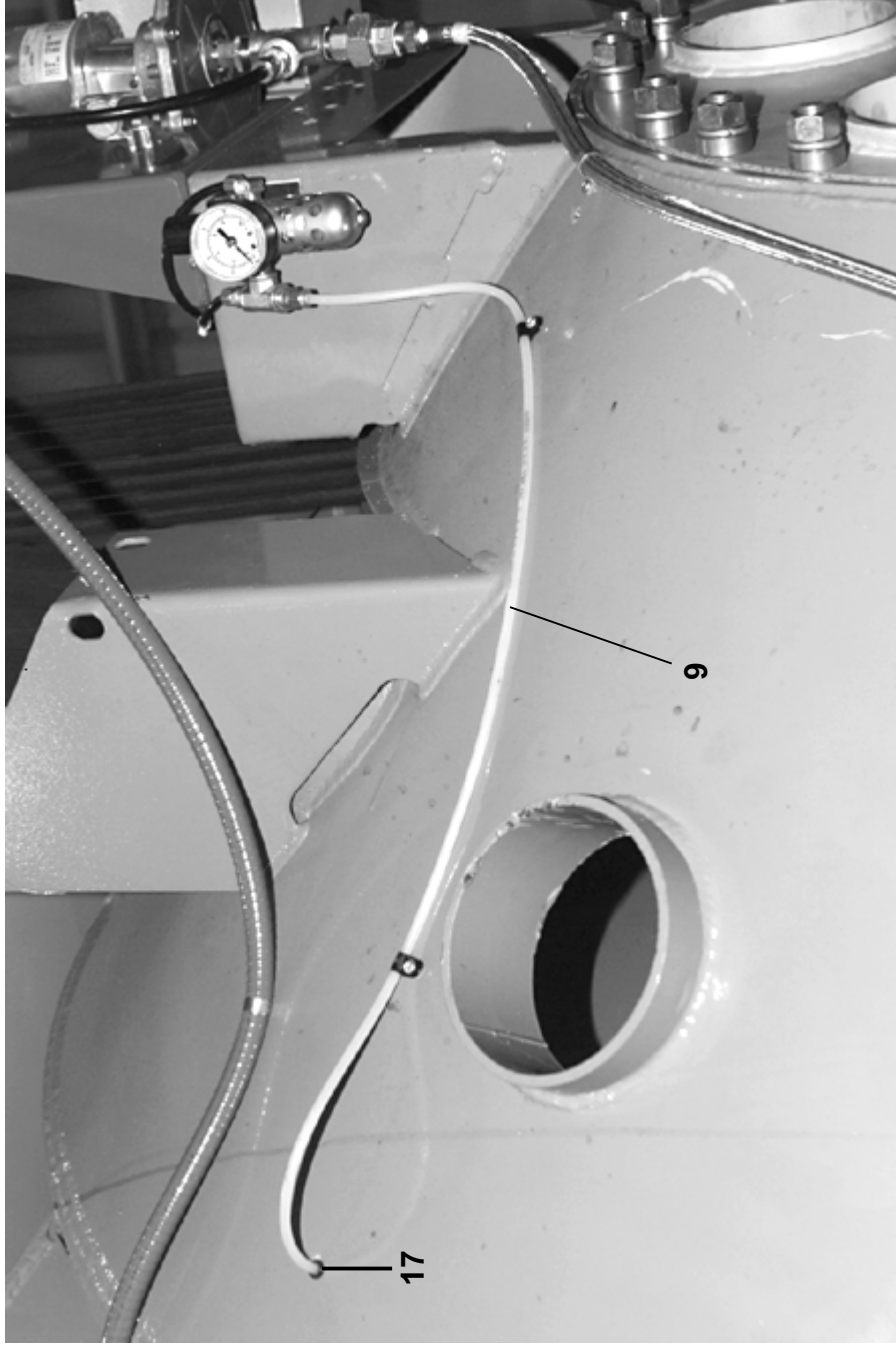
BMP970012/99303V
 (Sheet 1 of 2)



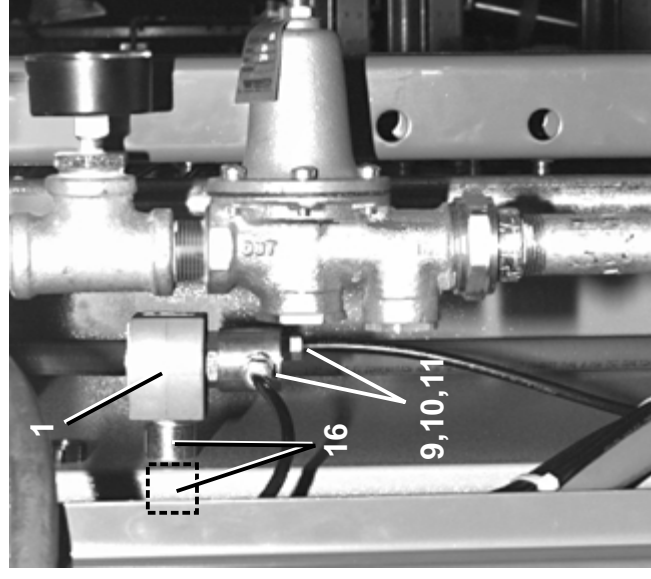
Pellerin Milnor Corporation
 P. O. Box 400, Kenner, LA 70063-0400

BMP970012/99303V (1 of 2)

Litho in U.S.A.

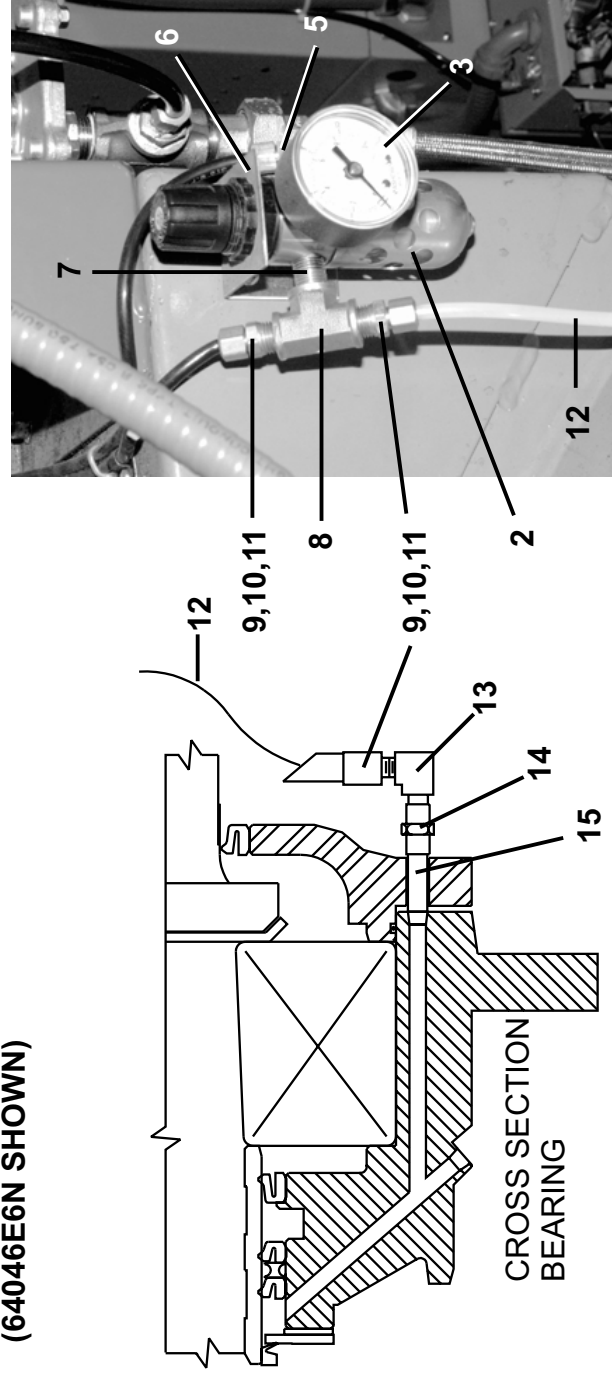


Main Air



Pilot Valve

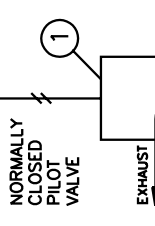
(64046E6N SHOWN)



CROSS SECTION BEARING

BEARING AIR INJECT

AIR 85-110 PSI
 5.8-7.5 ATU



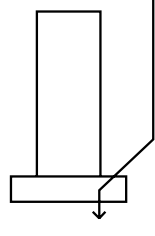
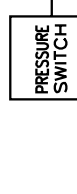
NORMALLY CLOSED PILOT VALVE
 EXHAUST

AIR PRESSURE IS APPLIED TO BEARING WHEN PILOT VALVE IS ENERGIZED

2 PRESSURE REGULATOR SETTING OF 10PSI



3 PRESSURE GAUGE





Pellerin Milnor Corporation
P. O. Box 400, Kenner, LA 70063-0400

Litho in U.S.A.

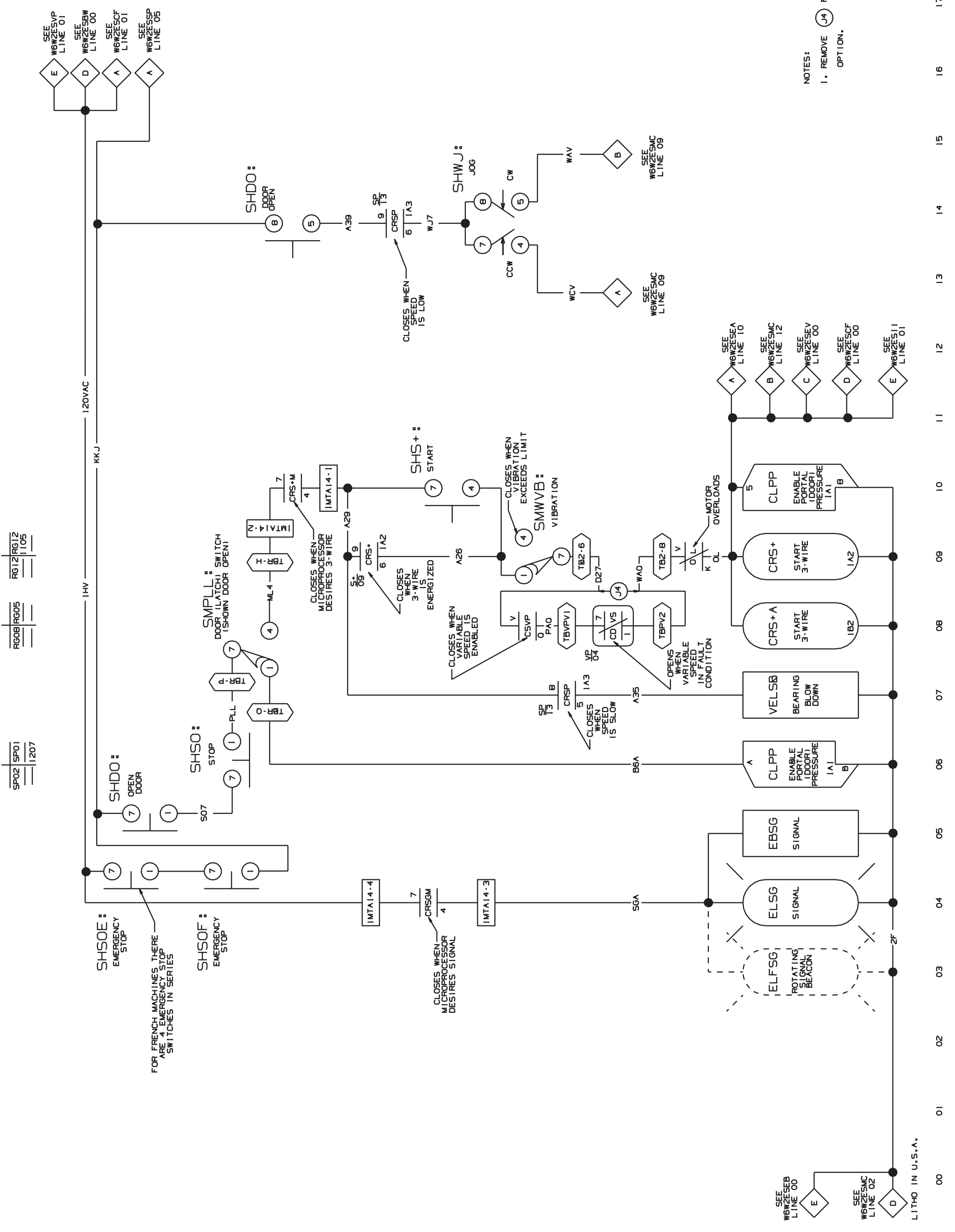
Parts List—Air Inject Assembly

Find the correct assembly first, then find the needed components. The item letters (A, B, C, etc.) assigned to assemblies are referred to in the "Used In" column to identify which components belong to an assembly. The item numbers (1, 2, 3, etc.) assigned to components relate the parts list to the illustration.

Used In	Item	Part Number	Description	Comments
			-----ASSEMBLIES-----	
	A	AIR58003	97000Z AIR INJECT ASSY=BNG HOUSE	
			-----COMPONENTS-----	
all	1	96TBC2BA37	04Z 1/4" N/C 2WAY 120V50/60C VALVE	
all	2	96J019G	1/4"FILTERREG 0-60PSI	
all	3	30N095	03ZPRESSGAUGE 1/8"BACKCN.0-15PSI	
all	4	09N082B05	00Z PRESSW NASON CLOSE @ 5 LB	
all	5	53A031XB	BODY-EL90MALE.25X25 #269C-4-4B	
all	6	03 01666	97141B FILTER REG SUPPORT BKT	
all	7	5N0ECLSBE2	NPT NIP 1/4XCLS TBE BRASS 125#	
all	8	51V015	03Z TEE PIPE 1/4"FGDBRASS101-T7-444	
all	9	53A059A	NUT 1/4"BR.HOLYOKE AND #61A-4	
all	10	53A500	1/4" SLEEVE-DELTRIN	
all	11	53A501	TUBEINSERT .170"OD	
all	12	60E004TC	02ZTUBING NYL(NAT)1/4"ODX.17ID *	
all	13	53A031B	BODY-EL90MALE.25X1/8 #269C-42B	
all	14	5SCC0CBE	NPT COUP 1/8 BRASS 125# 103A-A	
all	15	5N0C01KG42	NPT NIP 1/8X1.5 TBE GALSTL S40	
all	16	15K005	04Z SKCPSCR 6-32X3/8 SELFOK	
all	17	12P1AGSB	SNAPBUSH 3/8"MH X 1/4" T=1/8	

WBWZESS+ MICRO 6 SYSTEMS SERIAL CONTROLS MARK III SCHEMATIC: START CIRCUIT 110V1P50HZ/120V1P60HZ PELLERIN MILNOR CORPORATION

WBWZESS+
98296B



NOTES:
1. REMOVE (JA) FOR VARIABLE SPEED OPTION.

SP02 SP01 1207
RG08 RG05 1105
RG12 RG12 1105

WBWZESS+
98296B

LITHO IN U.S.A. 00 01 02 03 04 05 06 07 08 09 10 11 12 13 14 15 16 17