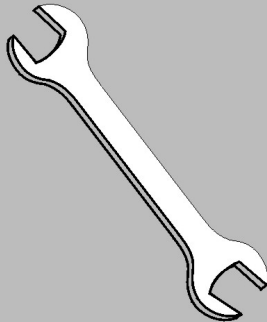


Published Manual Number/ECN: HUCDSD0100/2004382A

- Publishing System: TPAS
- Access date: 09/13/04
- Document ECN's: Latest Available



# Kit Instruction— KUCDSD0100



# Please Read

## About the Manual Identifying Information on the Cover

The front cover displays pertinent identifying information for this manual. Most important, are the published manual number (part number) /ECN (date code). Generally, when a replacement manual is furnished, it will have the same published manual number, but the latest available ECN. This provides the user with the latest information applicable to his machine. Similarly all documents comprising the manual will be the latest available as of the date the manual was printed, **even though older ECN dates for those documents may be listed in the table of contents.**

When communicating with the Milnor factory regarding this manual, please also provide the other identifying information shown on the cover, including the publishing system, access date, and whether the document ECN's are the latest available or exact.

## References to Yellow Troubleshooting Pages

This manual may contain references to "yellow pages." Although the pages containing troubleshooting procedures are no longer printed on yellow paper, troubleshooting instructions, if any, will be contained in the easily located "Troubleshooting" chapter or section. See the table of contents.

## Trademarks of Pellerin Milnor Corporation

The following, some of which may be used in this manual, are trademarks of Pellerin Milnor Corporation:

Ampsaver <sup>®</sup>	Dye-Extractor <sup>®</sup>	Gear Guardian <sup>®</sup>	Milnet <sup>®</sup>	Staph-Guard <sup>®</sup>
Autolint <sup>®</sup>	Dyextractor <sup>®</sup>	Hands-Off <sup>®</sup>	Milnor <sup>®</sup>	System 4 <sup>®</sup>
Auto-Purge <sup>®</sup>	E-P Express <sup>®</sup>	Hydro-Cushion <sup>®</sup>	Miltrac	System 7 <sup>®</sup>
Autovac	E-P OneTouch <sup>®</sup>	Mildata <sup>®</sup>	Miltron	Totaltrol <sup>®</sup>
CBW <sup>®</sup>	E-P Plus <sup>®</sup>			

## Comments and Suggestions

Help us to improve this manual by sending your comments to:

Pellerin Milnor Corporation  
Attn: Technical Publications  
P. O. Box 400  
Kenner, LA 70063-0400

Fax: (504) 469-1849

## INSTRUCTIONS FOR KUCDSD0100—RETRO DOOR OPEN SWITCH TO PROXIMITY SWITCHES

Please read the following instructions before beginning:

1. Turn disconnect off and lock before beginning.
2. Remove existing door open switches and brackets, right and left side.
3. In the low voltage control box, cut wire marked SDO at connector WCIN-7 (W6PRSTAG) making sure to leave a six inch pig tail from WCIN-7. Disconnect remaining wires and remove switches.
4. To install new proximity switches, right and left, measure down one inch from old mounting holes. Drill and tap these new mounting bracket holes for a 3/8" bolt.
5. Install new brackets and proximity switches, right and left side.
6. Run wire into low voltage box using route and penetrations left by old cable. Tyrap securely away from any moving parts.
7. The following instructions refer to wire colors on the new proximity switches. If your wire colors do not match consult the Milnor Service Department.
  - a. Butt splice the BLACK wire from the left side proximity switch to the six inch pig tail from connector WCIN-7. (W6PRSTAG)
  - b. Connect the BLUE wire from the left side proximity switch to the BLACK wire from the right side proximity switch using white cap provided. See schematic (W6PRSIBA) line 5.
  - c. Connect the BLUE wire from the right side proximity switch to the ground terminal TB4 (W6PRSTAG) or to the ground lug if you have no TB4.
  - d. Install the terminal strip provided in your kit, with hardware provided. This terminal strip should be located close to the power supply. this terminal will also be used for future proximity switches.
  - e. Locate the positive 12 volts (V2) on the power supply. The wire will be solid orange or blue with an orange tracer. Tap into this wire using white cap provided and connect to the terminal strip installed in step D.
  - f. Connect both BROWN wires from the switches to the 12 volt terminal strip installed in step D.
  - g. Remove existing sled door open targets, right and left and install new targets using existing mounting holes and hardware provided.
8. Adjust proximity switches approximately 3/8" of an inch from target, being careful switch does not hit target.



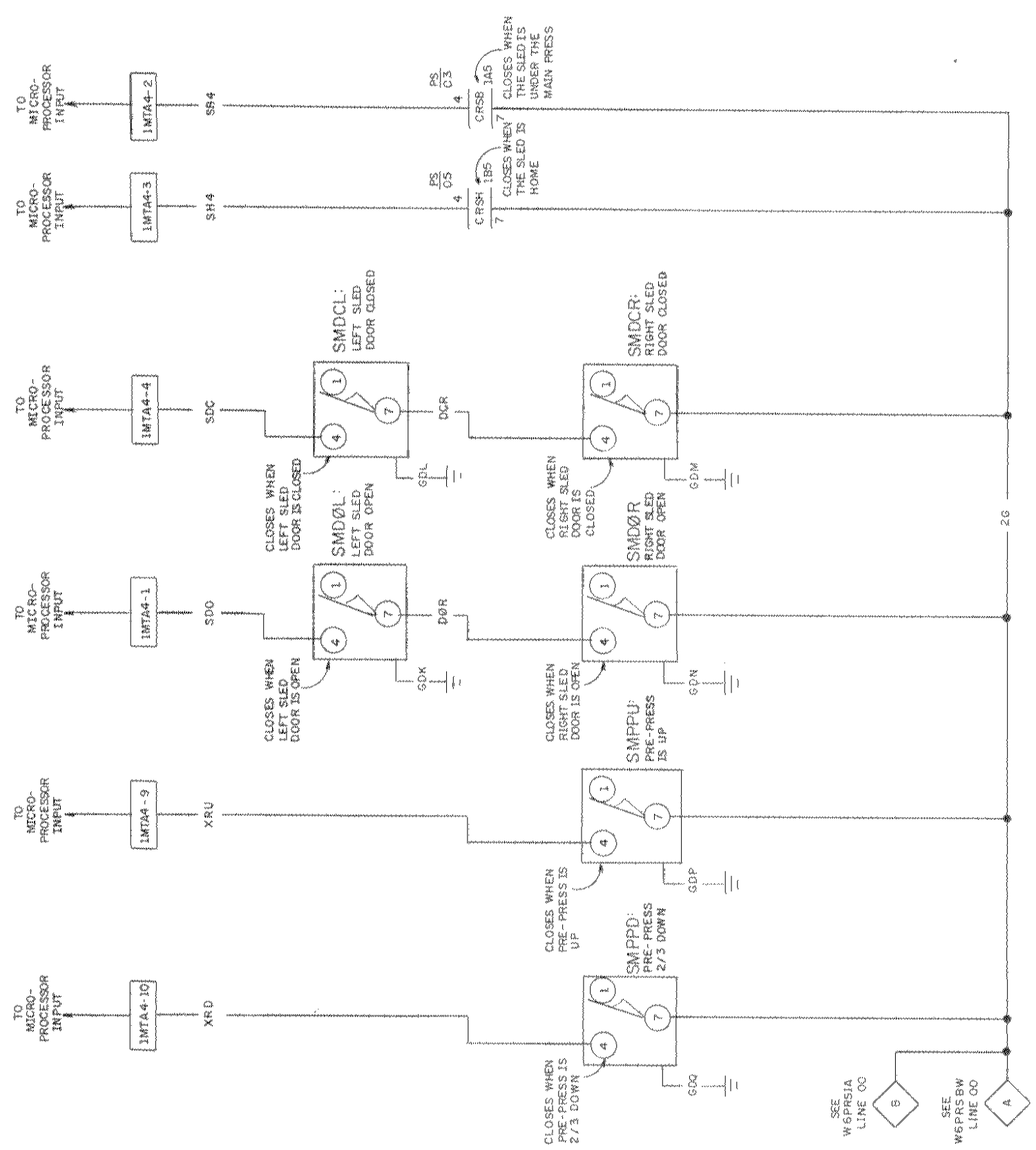
# W6PR5IB

## MICRO 6 SYSTEMS INPUTS (SCHEMATIC)

PELLERIN MILNOR CORPORATION

W6PR5IB  
88456D

- NOTES:
1. IMTA3, IMTA4 ARE LOCATED ON BE0-1 (8 OUTPUT 16 INPUT BOARD)
  2. IMTA34 IS LOCATED ON BFB (PROCESSOR BOARD)
  3. 2MTA3 IS LOCATED ON BR-2 (8 OUTPUT 16 INPUT BOARD)



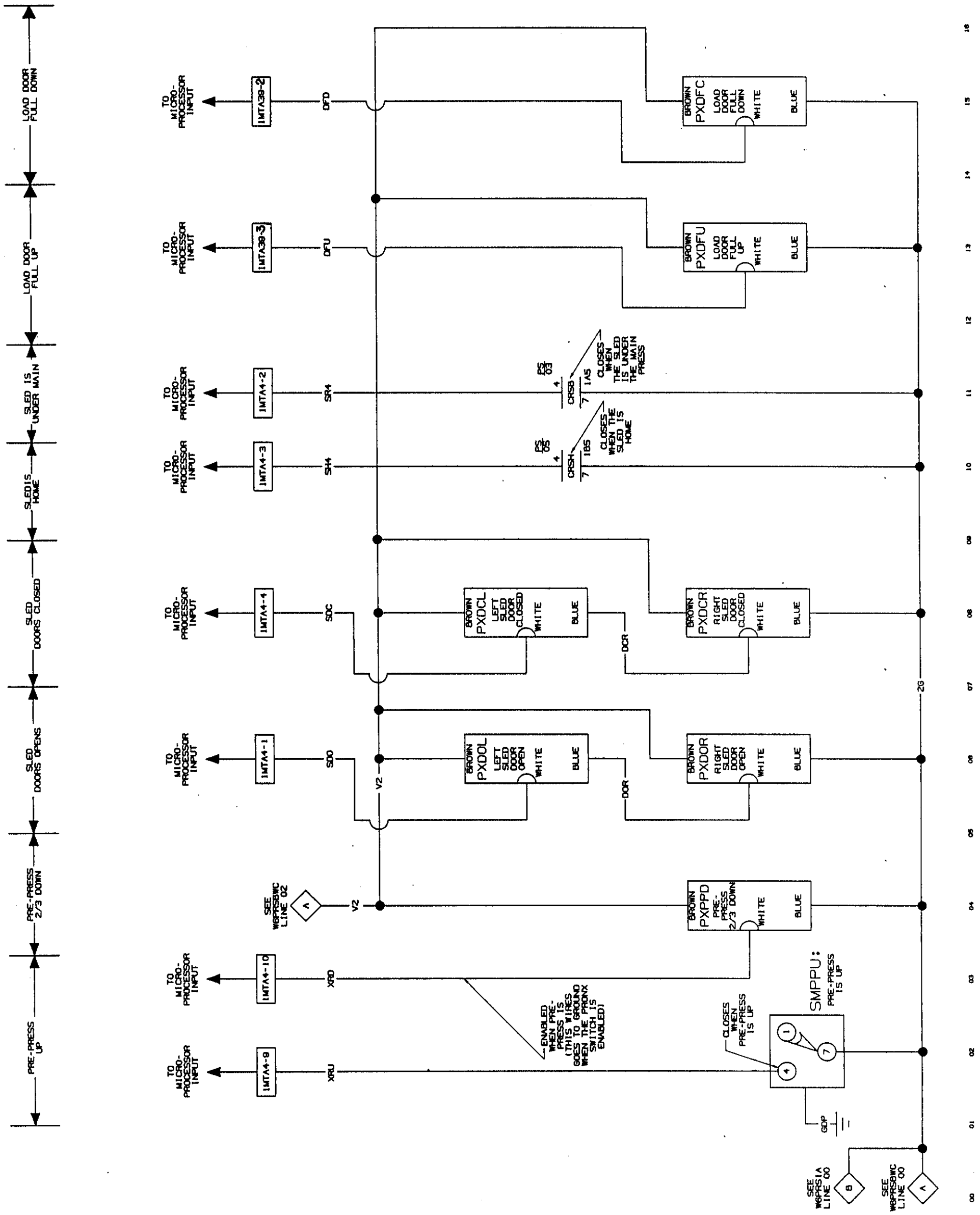
SEE W6PR5IA LINE 00  
6

SEE W6PR5BW LINE 00  
A

# W6PRRSIBA MICRO 6 SYSTEMS SCHEMATIC: INPUTS (SHEET 2)

PELLERIN MILNOR CORPORATION

W6PRRSIBA  
83411D



**NOTES:**

1. IMTA3, IMTA4 ARE LOCATED ON 810-1 (8 OUTPUT 16 INPUT BOARD).
2. IMTA34 IS LOCATED ON 8P8 (PROCESSOR BOARD).
3. ZMTA3 IS LOCATED ON 810-2 (8 OUTPUT 16 INPUT BOARD).

W6PRRSIBA  
83411D